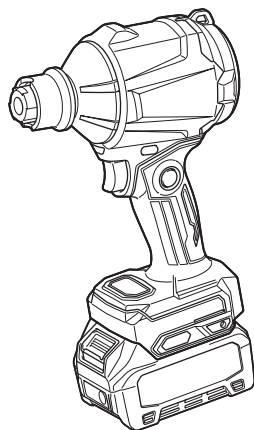


INSTRUCTION MANUAL
MANUEL D'INSTRUCTION
MANUAL DE INSTRUCCIONES



Cordless Dust Blower Souffleur à poussière sans fil Sopladora Inalámbrica

AS001G



IMPORTANT: Read Before Using.

IMPORTANT : Lire avant usage.

IMPORTANTE: Lea antes de usar.

SPECIFICATIONS

Model:		AS001G
Air speed (average) ^{*2*3}		163 m/s (364 MPH)
Air speed (max.) ^{*2*3}		200 m/s (447 MPH)
Maximum air volume ^{*1*2}		1.1 m ³ /min (39 cu.ft/min)
Maximum blowing force ^{*1*2}	4: Max	2.8 N (0.63 lbf)
	3: High	2.3 N (0.52 lbf)
	2: Medium	1.7 N (0.38 lbf)
	1: Low	1.1 N (0.25 lbf)
Continuous use ^{*1*2}	4: Max	13 min
	3: High	17 min
	2: Medium	25 min
	1: Low	50 min
Maximum air pressure ^{*2*3}		29.7 kPa (4.2 PSI)
Dimensions (L x W x H) ^{*1*2}		180 mm x 94 mm x 300 mm (7-1/8" x 3-11/16" x 11-3/4")
Rated voltage		D.C. 36 V - 40 V max
Net weight		1.5 - 2.9 kg (3.3 - 6.4 lbs)

^{*1} Without nozzles

^{*2} With battery model BL4025

^{*3} With nozzle 7

- Due to our continuing program of research and development, the specifications herein are subject to change without notice.
- Specifications may differ from country to country.
- The weight may differ depending on the attachment(s), including the battery cartridge. The lightest and heaviest combinations, according to EPTA-Procedure 01/2014, are shown in the table.

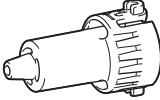
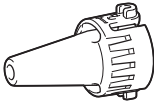
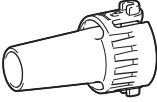
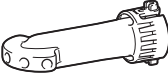
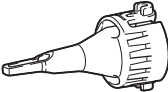

Applicable battery cartridge and charger

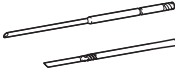
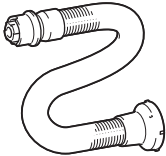

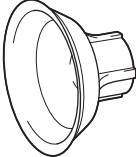
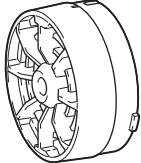
Battery cartridge	BL4020* / BL4025* / BL4040* / BL4050F / BL4080F *: Recommended battery
Charger	DC40RA / DC40RB / DC40RC

- Some of the battery cartridges and chargers listed above may not be available depending on your region of residence.

⚠ WARNING: Only use the battery cartridges and chargers listed above. Use of any other battery cartridges and chargers may cause injury and/or fire.

Applicable nozzles and attachments

Nozzles and attachments	Applications and purposes	Diameters
Nozzle 3 	Blowing air into confined spaces, corners, and spaces by the walls to dust off.	ø3.0 mm (ø1/8")
Nozzle 7 	Dusting off filters.	ø7.0 mm (ø9/32")
Nozzle 13 	<p>Using as blower Cleaning work surfaces and blowing dust in general. Anchor hole cleaning with optional long nozzles. Functioning as a joint between long nozzles and blower outlet of the tool.</p> <p>Using as inflator Inflating large inflatable pools or air mattresses.</p> <p>Using as deflator Deflating large inflatable pools or air mattresses. Functioning as a joint between air vent hose complete and rubber attachments.</p>	ø13 mm (ø1/2")
Wide range nozzle 	Blowing air over dirt and liquid on desktop and wide-open area. Blowing range: 120° with 5 holes	ø6.0 mm (ø1/4") * As a single hole diameter
Pinch valve nozzle 	Inflating/deflating beach toys, pillows, and similar plastic inflatables. * Deflating operation can be carried out with optional air vent hose complete.	ø7.0 mm (ø9/32")
Flexible nozzle 6 	Blowing dust out of any hard-to-reach spots, PCs and similar devices.	ø6.0 mm x 800 mm (ø1/4" x 31-1/2")

Nozzles and attachments	Applications and purposes	Diameters
<p data-bbox="80 82 206 102">Long nozzles set</p> 	<p data-bbox="322 82 842 159">A set of nozzles suitable for blowing dust out of anchor holes and narrow spots. Nozzle lengths can be changed by attaching and detaching two nozzle heads. * Long nozzles can be installed using nozzle 13 as a joint.</p>	<p data-bbox="855 82 987 102">ø8.0 mm (ø5/16")</p>
<p data-bbox="80 309 248 328">Air vent hose complete</p> 	<p data-bbox="322 309 775 328">Deflating inflatable items with appropriate nozzles in operation.</p>	<p data-bbox="855 309 864 328">-</p>
<p data-bbox="80 533 277 552">Rubber attachment 20 - 30</p> 	<p data-bbox="322 533 842 590">Nozzle head suitable for deflating air mattress, raft, boat, and pool. * This attachment requires to be installed with the air vent hose complete and nozzle 13 together.</p>	<p data-bbox="855 533 1010 606">ø20 - 30 mm (ø13/16 - 1-3/16") * Measured as outer diameter.</p>
<p data-bbox="80 756 244 775">Rubber attachment 65</p> 	<p data-bbox="322 756 842 833">Attachment suitable for packaging your clothes by compressing air out of them. * This attachment requires to be installed with the air vent hose complete and nozzle 13 together.</p>	<p data-bbox="855 756 999 775">ø65 mm (ø2-9/16")</p>
<p data-bbox="80 979 136 999">Filter C</p> 	<p data-bbox="322 979 826 1021">Attachment designed to reduce dust intake into the motor under dusty working conditions.</p>	<p data-bbox="855 979 864 999">-</p>

SAFETY WARNINGS

General power tool safety warnings

⚠WARNING Read all safety warnings, instructions, illustrations and specifications provided with this power tool. Failure to follow all instructions listed below may result in electric shock, fire and/or serious injury.

Save all warnings and instructions for future reference.

The term "power tool" in the warnings refers to your mains-operated (corded) power tool or battery-operated (cordless) power tool.

Work area safety

1. **Keep work area clean and well lit.** Cluttered or dark areas invite accidents.
2. **Do not operate power tools in explosive atmospheres, such as in the presence of flammable liquids, gases or dust.** Power tools create sparks which may ignite the dust or fumes.
3. **Keep children and bystanders away while operating a power tool.** Distractions can cause you to lose control.

Electrical safety

1. **Power tool plugs must match the outlet. Never modify the plug in any way. Do not use any adapter plugs with earthed (grounded) power tools.** Unmodified plugs and matching outlets will reduce risk of electric shock.
2. **Avoid body contact with earthed or grounded surfaces, such as pipes, radiators, ranges and refrigerators.** There is an increased risk of electric shock if your body is earthed or grounded.
3. **Do not expose power tools to rain or wet conditions.** Water entering a power tool will increase the risk of electric shock.
4. **Do not abuse the cord. Never use the cord for carrying, pulling or unplugging the power tool. Keep cord away from heat, oil, sharp edges or moving parts.** Damaged or entangled cords increase the risk of electric shock.
5. **When operating a power tool outdoors, use an extension cord suitable for outdoor use.** Use of a cord suitable for outdoor use reduces the risk of electric shock.
6. **If operating a power tool in a damp location is unavoidable, use a ground fault circuit interrupter (GFCI) protected supply.** Use of a GFCI reduces the risk of electric shock.
7. **Power tools can produce electromagnetic fields (EMF) that are not harmful to the user.** However, users of pacemakers and other similar medical devices should contact the maker of their device and/or doctor for advice before operating this power tool.

Personal safety

1. **Stay alert, watch what you are doing and use common sense when operating a power tool. Do not use a power tool while you are tired or under the influence of drugs, alcohol or medication.** A moment of inattention while operating power tools may result in serious personal injury.

2. **Use personal protective equipment. Always wear eye protection.** Protective equipment such as a dust mask, non-skid safety shoes, hard hat or hearing protection used for appropriate conditions will reduce personal injuries.
3. **Prevent unintentional starting. Ensure the switch is in the off-position before connecting to power source and/or battery pack, picking up or carrying the tool.** Carrying power tools with your finger on the switch or energising power tools that have the switch on invites accidents.
4. **Remove any adjusting key or wrench before turning the power tool on.** A wrench or a key left attached to a rotating part of the power tool may result in personal injury.
5. **Do not overreach. Keep proper footing and balance at all times.** This enables better control of the power tool in unexpected situations.
6. **Dress properly. Do not wear loose clothing or jewellery. Keep your hair and clothing away from moving parts.** Loose clothes, jewellery or long hair can be caught in moving parts.
7. **If devices are provided for the connection of dust extraction and collection facilities, ensure these are connected and properly used.** Use of dust collection can reduce dust-related hazards.
8. **Do not let familiarity gained from frequent use of tools allow you to become complacent and ignore tool safety principles.** A careless action can cause severe injury within a fraction of a second.
9. **Always wear protective goggles to protect your eyes from injury when using power tools. The goggles must comply with ANSI Z87.1 in the USA. It is an employer's responsibility to enforce the use of appropriate safety protective equipment by the tool operators and by other persons in the immediate working area.**

Power tool use and care

1. **Do not force the power tool. Use the correct power tool for your application.** The correct power tool will do the job better and safer at the rate for which it was designed.
2. **Do not use the power tool if the switch does not turn it on and off.** Any power tool that cannot be controlled with the switch is dangerous and must be repaired.
3. **Disconnect the plug from the power source and/or remove the battery pack, if detachable, from the power tool before making any adjustments, changing accessories, or storing power tools.** Such preventive safety measures reduce the risk of starting the power tool accidentally.
4. **Store idle power tools out of the reach of children and do not allow persons unfamiliar with the power tool or these instructions to operate the power tool.** Power tools are dangerous in the hands of untrained users.
5. **Maintain power tools and accessories. Check for misalignment or binding of moving parts, breakage of parts and any other condition that may affect the power tool's operation. If damaged, have the power tool repaired before use.** Many accidents are caused by poorly maintained power tools.

6. **Keep cutting tools sharp and clean.** Properly maintained cutting tools with sharp cutting edges are less likely to bind and are easier to control.
7. **Use the power tool, accessories and tool bits etc. in accordance with these instructions, taking into account the working conditions and the work to be performed.** Use of the power tool for operations different from those intended could result in a hazardous situation.
8. **Keep handles and grasping surfaces dry, clean and free from oil and grease.** Slippery handles and grasping surfaces do not allow for safe handling and control of the tool in unexpected situations.
9. **When using the tool, do not wear cloth work gloves which may be entangled.** The entanglement of cloth work gloves in the moving parts may result in personal injury.

Battery tool use and care

1. **Recharge only with the charger specified by the manufacturer.** A charger that is suitable for one type of battery pack may create a risk of fire when used with another battery pack.
2. **Use power tools only with specifically designed battery packs.** Use of any other battery packs may create a risk of injury and fire.
3. **When battery pack is not in use, keep it away from other metal objects, like paper clips, coins, keys, nails, screws or other small metal objects, that can make a connection from one terminal to another.** Shorting the battery terminals together may cause burns or a fire.
4. **Under abusive conditions, liquid may be ejected from the battery; avoid contact. If contact accidentally occurs, flush with water. If liquid contacts eyes, additionally seek medical help.** Liquid ejected from the battery may cause irritation or burns.
5. **Do not use a battery pack or tool that is damaged or modified.** Damaged or modified batteries may exhibit unpredictable behaviour resulting in fire, explosion or risk of injury.
6. **Do not expose a battery pack or tool to fire or excessive temperature.** Exposure to fire or temperature above 130 °C may cause explosion.
7. **Follow all charging instructions and do not charge the battery pack or tool outside the temperature range specified in the instructions.** Charging improperly or at temperatures outside the specified range may damage the battery and increase the risk of fire.

Service

1. **Have your power tool serviced by a qualified repair person using only identical replacement parts.** This will ensure that the safety of the power tool is maintained.
2. **Never service damaged battery packs.** Service of battery packs should only be performed by the manufacturer or authorized service providers.
3. **Follow instruction for lubricating and changing accessories.**
4. **Do not modify or attempt to repair the appliance or the battery pack except as indicated in the instructions for use and care.**

IMPORTANT SAFETY INSTRUCTIONS

When using an electrical appliance, basic precautions should always be followed, including the following:

READ ALL INSTRUCTIONS BEFORE USING THIS APPLIANCE.

WARNING - To reduce the risk of fire, electric shock, or injury:

1. **Do not leave appliance when battery fitted. Remove battery from appliance when not in use and before servicing.**
2. **Do not expose to rain. Store indoors.**
3. **Do not allow to be used as a toy. Close attention is necessary when used by or near children.**
4. **Use only as described in this manual. Use only manufacturer's recommended attachments.**
5. **Do not use with damaged battery. If appliance is not working as it should, has been dropped, damaged, left outdoors, or dropped into water, return it to a service center.**
6. **Do not handle appliance with wet hands.**
7. **Do not put any object into openings. Do not use with any opening blocked; keep free of dust, lint, hair, and anything that may reduce air flow.**

8. **Keep hair, loose clothing, fingers, and all parts of body away from openings and moving parts.**
9. **Turn off all controls before removing the battery cartridge.**
10. **Use extra care when cleaning on stairs.**
11. **Do not use to pick up flammable or combustible liquids, such as gasoline, or use in areas where they may be present.**
12. **Recharge only with the charger specified by the manufacturer.** A charger that is suitable for one type of battery pack may create a risk of fire when used with another battery pack.
8. **Do not use the tool to spray chemicals.** Your lungs may be damaged by inhaling toxic fumes.
9. **Do not operate the dust blower at high places.**
10. **Never block suction inlet and/or blower outlet.**
 - **Be careful not to block suction inlet or blower outlet with dust or dirt when operating in dusty area.**
 - **Do not use nozzles other than the nozzles provided by Makita.**
11. **If the dust blower strikes any foreign objects or should start making any unusual noise or vibration, immediately switch off the dust blower to stop it. Remove the battery cartridge from the dust blower and inspect the dust blower for damage before restarting and operating the dust blower. If the dust blower is damaged, ask Makita Authorized Service Centers for repair.**
12. **Do not insert fingers or other objects into suction inlet or blower outlet.**
13. **Prevent unintentional starting. Ensure the switch is in the off-position before inserting battery cartridge, picking up or carrying the dust blower. Carrying the dust blower with your finger on the switch or energizing the dust blower that has the switch on invites accidents.**
14. **Avoid operating the dust blower for a long time in low temperature environment.**
15. **Do not use the tool beyond the maximum output pressure of the tool. Using the tool at output pressure greater than the maximum output pressure of the tool may burst the object or the tool.**

SAVE THESE INSTRUCTIONS.

This appliance is intended for both household use and commercial use.

Cordless Dust Blower Safety Instructions

Preparation

1. **Do not wear loose clothing or jewellery that can be drawn into the air inlet. Keep long hair away from the air inlets.**
2. **Always use protective goggles, a cap and mask when using the dust blower.** Ordinary eye or sun glasses are NOT safety glasses.
3. **To prevent dust irritation the wearing of a face mask is recommended.**

Operation in general

1. **Switch off the dust blower and remove the battery cartridge and make sure that all moving parts have come to a complete stop**
 - **whenever you leave the dust blower.**
 - **whenever you switch from inflating to deflating operation, and vice versa.**
 - **before checking, cleaning or working on the dust blower.**
 - **if the dust blower starts to vibrate abnormally.**
2. **Operate the dust blower only in daylight or in good artificial light.**
3. **Do not overreach and keep proper balance and footing at all times.**
4. **Keep all cooling air inlets clear of debris.**
5. **Operate the dust blower in a recommended position and on a firm surface.**
6. **Do not use the tool with wet hands.**
7. **Do not point the outlet of the nozzle and attachment to yourself or others.** Objects may be blown away and cause an injury.

Blowing operation

1. **Never blow debris in the direction of bystanders.**
2. **Never point the nozzle at anyone in the vicinity when using the dust blower.**
3. **Never blow dangerous materials, such as nails, fragments of glass, or blades.**
4. **Do not operate the dust blower near flammable materials.**

Inflating/Deflating operation

1. **When inflating objects, connect a nozzle or attachment to the air inlet securely.** Otherwise, the object, nozzle, or attachment may be damaged and you may be injured.
2. **Release air pressure slowly. When removing a nozzle or attachment after inflating objects, hold the object, nozzle and attachment firmly.** They may bounce due to exhaust air and cause an injury.
3. **Do not inflate object beyond the maximum pressure of the object.** Otherwise, the tool or object may be damaged and you may be injured.
4. **Inflate the objects intended to be inflated by the manufacturer only, such as beach toys or air mattress.** Inflating other objects may damage them and cause an injury.
5. **When inflating objects, check the status of the tool and object, and be sure that there is no air leak from the object.**

6. **Always be careful not to over-inflate objects during operation.** It otherwise may burst the objects, possibly causing damage to the tool and personal injury.
7. **After inflating objects, check the air pressure using a reliable and calibrated measuring equipment.**
8. **Never leave the tool unattended when the nozzle or attachment is attached to the object or during operation.**
9. **Do not use the tool as a vacuum cleaner.** Performing dust collection may damage the tool.
10. **Do not use the tool as a breathing device.**
11. **Use only standard accessories provided by Makita.** The use of any other accessories or attachments might present a risk of injury to persons.

Maintenance and storage

1. **Keep all nuts, bolts and screws tight to be sure the dust blower is in safe working condition.**
2. **If the parts are worn or damaged, replace them with parts provided by Makita.**
3. **Store the dust blower in a dry place out of the reach of children.**
4. **When you stop the dust blower for inspection, servicing, storage, or changing accessory, switch off the dust blower and make sure that all moving parts come to a complete stop, and remove the battery cartridge. Cool down the dust blower before making any work on the dust blower. Maintain the dust blower with care and keep it clean.**
5. **When carrying the tool, do not hold or pull a nozzle or attachment.** The tool may be damaged and cause an injury.
6. **Always cool down the dust blower before storing.**
7. **Do not disassemble the tool.**

Service

1. **Have your power tool serviced by a qualified repair person using only identical replacement parts.** This will ensure that the safety of the power tool is maintained.
2. **Never service damaged battery packs.** Service of battery packs should only be performed by the manufacturer or authorized service providers.


SAVE THESE INSTRUCTIONS.

⚠ WARNING: DO NOT let comfort or familiarity with product (gained from repeated use) replace strict adherence to safety rules for the subject product.

MISUSE or failure to follow the safety rules stated in this instruction manual may cause serious personal injury.

Symbols

The followings show the symbols used for tool.

V	volts
	direct current

Important safety instructions for battery cartridge

1. **Before using battery cartridge, read all instructions and cautionary markings on (1) battery charger, (2) battery, and (3) product using battery.**
2. **Do not disassemble or tamper with the battery cartridge.** It may result in a fire, excessive heat, or explosion.
3. **If operating time has become excessively shorter, stop operating immediately.** It may result in a risk of overheating, possible burns and even an explosion.
4. **If electrolyte gets into your eyes, rinse them out with clear water and seek medical attention right away.** It may result in loss of your eyesight.
5. **Do not short the battery cartridge:**
 - (1) **Do not touch the terminals with any conductive material.**
 - (2) **Avoid storing battery cartridge in a container with other metal objects such as nails, coins, etc.**
 - (3) **Do not expose battery cartridge to water or rain.**
6. **A battery short can cause a large current flow, overheating, possible burns and even a breakdown.**
6. **Do not store and use the tool and battery cartridge in locations where the temperature may reach or exceed 50 °C (122 °F).**
7. **Do not incinerate the battery cartridge even if it is severely damaged or is completely worn out. The battery cartridge can explode in a fire.**
8. **Do not nail, cut, crush, throw, drop the battery cartridge, or hit against a hard object to the battery cartridge.** Such conduct may result in a fire, excessive heat, or explosion.
9. **Do not use a damaged battery.**
10. **The contained lithium-ion batteries are subject to the Dangerous Goods Legislation requirements.**

For commercial transports e.g. by third parties, forwarding agents, special requirement on packaging and labeling must be observed.

For preparation of the item being shipped, consulting an expert for hazardous material is required. Please also observe possibly more detailed national regulations.

Tape or mask off open contacts and pack up the battery in such a manner that it cannot move around in the packaging.

11. When disposing the battery cartridge, remove it from the tool and dispose of it in a safe place. Follow your local regulations relating to disposal of battery.
12. Use the batteries only with the products specified by Makita. Installing the batteries to non-compliant products may result in a fire, excessive heat, explosion, or leak of electrolyte.
13. If the tool is not used for a long period of time, the battery must be removed from the tool.
14. During and after use, the battery cartridge may take on heat which can cause burns or low temperature burns. Pay attention to the handling of hot battery cartridges.
15. Do not touch the terminal of the tool immediately after use as it may get hot enough to cause burns.
16. Do not allow chips, dust, or soil stuck into the terminals, holes, and grooves of the battery cartridge. It may cause heating, catching fire, burst and malfunction of the tool or battery cartridge, resulting in burns or personal injury.
17. Unless the tool supports the use near high-voltage electrical power lines, do not use the battery cartridge near high-voltage electrical power lines. It may result in a malfunction or breakdown of the tool or battery cartridge.
18. Keep the battery away from children.

SAVE THESE INSTRUCTIONS.

CAUTION: Only use genuine Makita batteries. Use of non-genuine Makita batteries, or batteries that have been altered, may result in the battery bursting causing fires, personal injury and damage. It will also void the Makita warranty for the Makita tool and charger.

Tips for maintaining maximum battery life

1. Charge the battery cartridge before completely discharged. Always stop tool operation and charge the battery cartridge when you notice less tool power.
2. Never recharge a fully charged battery cartridge. Overcharging shortens the battery service life.
3. Charge the battery cartridge with room temperature at 10 °C - 40 °C (50 °F - 104 °F). Let a hot battery cartridge cool down before charging it.
4. When not using the battery cartridge, remove it from the tool or the charger.
5. Charge the battery cartridge if you do not use it for a long period (more than six months).

ASSEMBLY

CAUTION: Always be sure that the tool is switched off and the battery cartridge is removed before carrying out any work on the tool.

Installing nozzle

Align the guide projections on a nozzle with the locking notches on the lock sleeve of the tool, then push the nozzle firmly into the lock sleeve until it locks in place with a click. Having installed the nozzle, try pulling it back to ensure it is securely held in place.

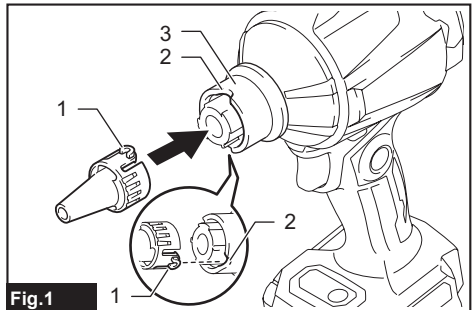


Fig.1

► 1. Guide projections 2. Locking notches 3. Lock sleeve

NOTICE: Make sure that the nozzle has been correctly attached to the tool so the guide projections on the nozzle neatly fit into the locking notches on the lock sleeve.

Removing nozzle

Hold the nozzle end and rotate it in a direction indicated by the arrows on the nozzle end to release the lock. Pull the nozzle apart from the lock sleeve after it becomes unlocked.

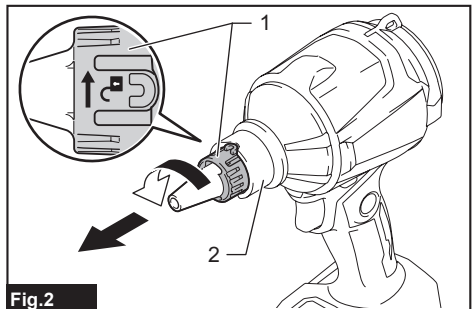


Fig.2

► 1. Nozzle end 2. Lock sleeve

NOTICE: Adhered dirt and dust on the surface will possibly make it hard to remove the nozzle from the tool. In such a case, slide and hold the lock sleeve towards the motor housing first, and then turn the nozzle end to release the lock.

CAUTION: Be careful not to pinch your hands between the rear end of the lock sleeve and motor housing while removing the nozzle. The lock sleeve slides back towards the motor housing when the nozzle is released from the lock.

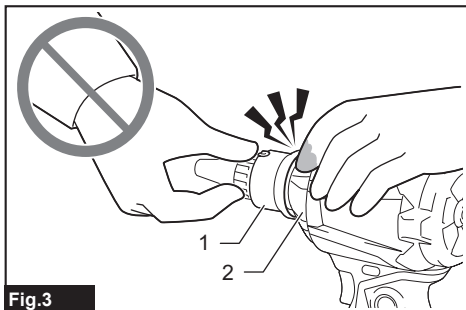


Fig.3

► 1. Lock sleeve 2. Motor housing

Removing and installing dust cap

1. Turn the dust cap on the suction inlet at the rear of the housing counterclockwise to take the dust cap out of the housing. Two locking tabs on the dust cap can be disengaged by aligning them with the guide grooves on the housing.

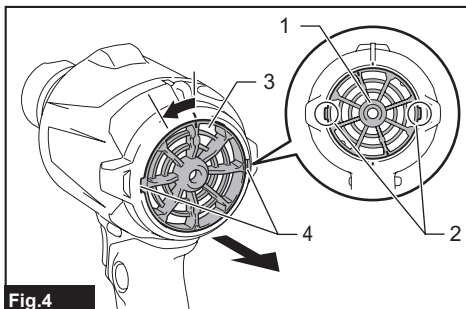


Fig.4

► 1. Dust cap 2. Locking tabs 3. Suction inlet 4. Guide grooves

2. Reassemble the dust cap onto the suction inlet, aligning the two locking tabs on the dust cap with the guide grooves on the housing. Then turn the dust cap clockwise to secure it in place.

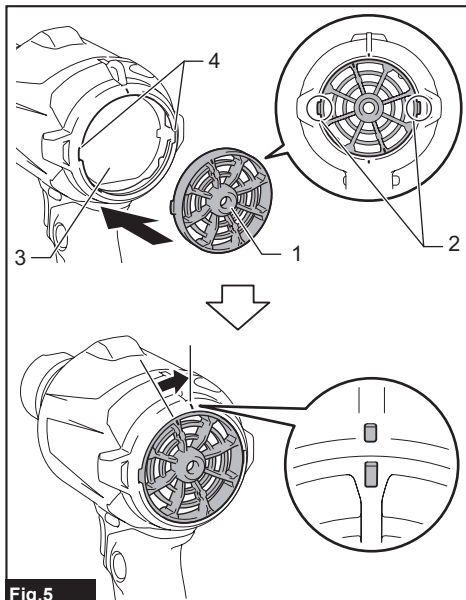


Fig.5

► 1. Dust cap 2. Locking tabs 3. Suction inlet 4. Guide grooves

Installing and removing long nozzles

Optional accessory

A set of long nozzles help clean dust out of small holes and narrow spots. Nozzle lengths can be arranged according to your requirements.

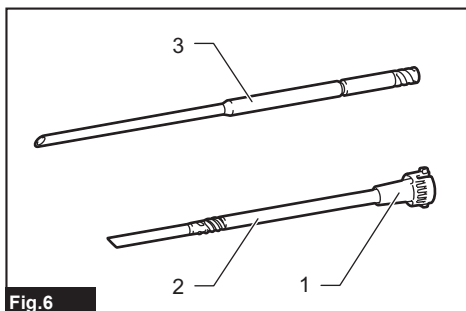


Fig.6

► 1. Nozzle 13 2. Long nozzle R 3. Long nozzle F

1. Insert the long nozzle R through the air hole of the nozzle 13 from back to front. Pass it through until the nozzle 13 secures in place at the rear end of the long nozzle R.

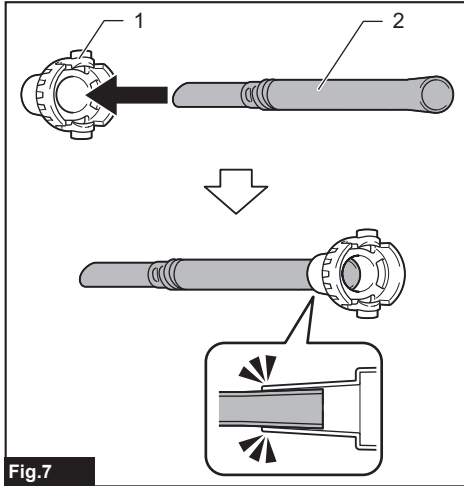


Fig.7

- 1. Nozzle 13 2. Long nozzle R

2. Place the long nozzle F over the front end of the long nozzle R. Hand screw the long nozzle F until you find it roughly tightened, then re-tighten it securely.

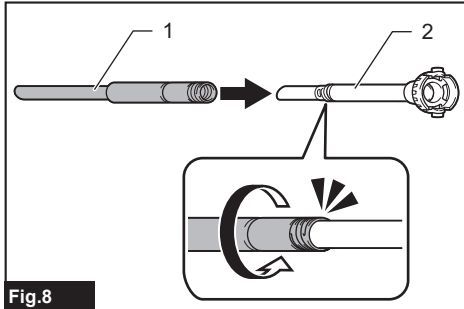


Fig.8

- 1. Long nozzle F 2. Long nozzle R

3. Align the guide projections on the nozzle 13 with the locking notches on the lock sleeve of the tool, then push the nozzle 13 firmly into the lock sleeve until it locks in place with a click.

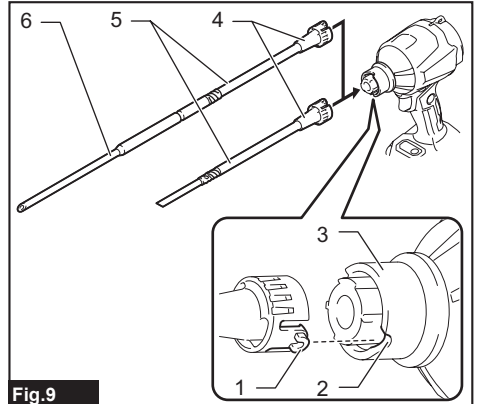


Fig.9

- 1. Guide projection 2. Locking notch 3. Lock sleeve
4. Nozzle 13 5. Long nozzle R 6. Long nozzle F

NOTE: Use the long nozzle R only to have a shorter operating range. Use both the long nozzle R and F to allow a wider operating range.

4. To remove the long nozzles, detach the nozzle 13 from the lock sleeve of the tool, and then disassemble the long nozzles.

Installing and removing deflating nozzles and attachments

Optional accessory

NOTICE: Always be sure to install and uninstall deflating nozzles and attachments only while the air vent hose complete is disconnected from the tool. Handling the air vent hose complete assembled into the tool may cause the tool to stand unstable resulting in it falling over.

1. Align the guide projections on the pinch valve nozzle with the locking notches on the lock sleeve of the air vent hose complete, then push the pinch valve nozzle firmly into the lock sleeve until it locks in place with a click.

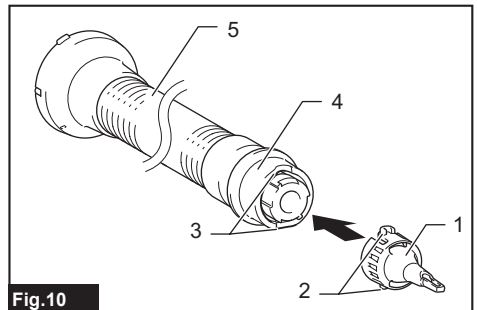


Fig.10

- 1. Pinch valve nozzle 2. Guide projections
3. Locking notches 4. Lock sleeve 5. Air vent hose complete

Optional rubber attachments

Optional rubber attachments require to be placed over the nozzle. Be careful not to attach rubber attachments directly to the air vent hose complete.

- i Align the guide projections on the nozzle 13 with the locking notches on the lock sleeve of the air vent hose complete, then push the nozzle firmly into the lock sleeve until it locks in place with a click.
- ii Place a rubber attachment over the nozzle head by pushing and hand screwing it in place.

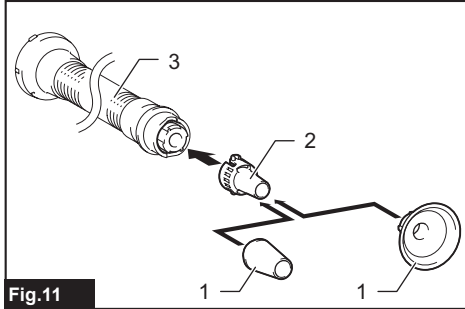


Fig.11

- 1. Rubber attachments 2. Nozzle 3. Air vent hose complete

NOTICE: Make sure that the nozzle has been correctly attached to the air vent hose complete so the guide projections on the nozzle neatly fit into the locking notches on the lock sleeve.

2. Turn the dust cap on the suction inlet at the rear of the housing counterclockwise to take the dust cap out of the housing. Two locking tabs on the dust cap can be disengaged by aligning them with the guide grooves on the housing.

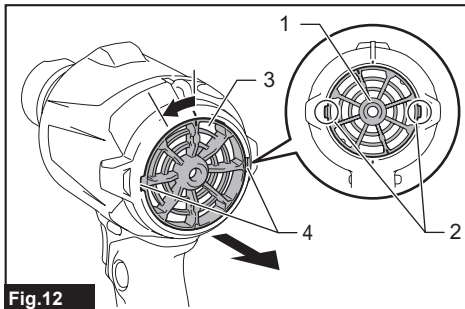


Fig.12

- 1. Dust cap 2. Locking tabs 3. Suction inlet 4. Guide grooves

3. Attach the end of the air vent hose complete to the suction inlet, aligning the two locking tabs on the air vent hose complete with the guide grooves on the housing. Then hold and turn the rear cuffs of the air vent hose complete clockwise to secure it in place.

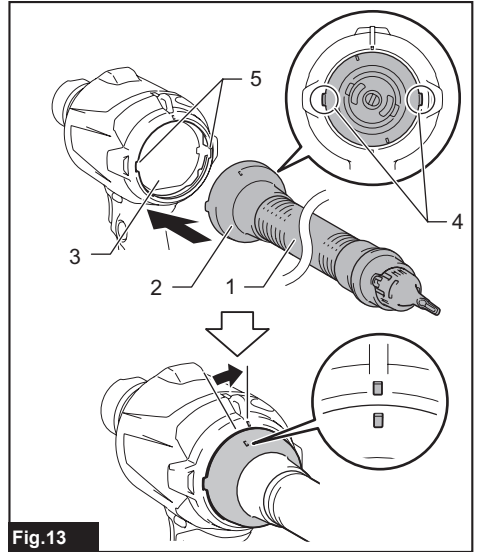


Fig.13

- 1. Air vent hose complete 2. Rear cuffs 3. Suction inlet 4. Locking tabs 5. Guide grooves

4. To remove the deflating nozzle and attachments, follow the installation steps in reverse.

NOTICE: Always hold and turn the rear cuffs of the air vent hose complete to install and uninstall the air vent hose complete in place.

Installing optional filter

Optional accessory

An optional high performance filter (Filter C) is available for restricting dust intake into the motor under dusty working conditions.

1. Turn the dust cap on the suction inlet at the rear of the housing counterclockwise to take the dust cap out of the housing. Two locking tabs on the dust cap can be disengaged by aligning them with the guide grooves on the housing.

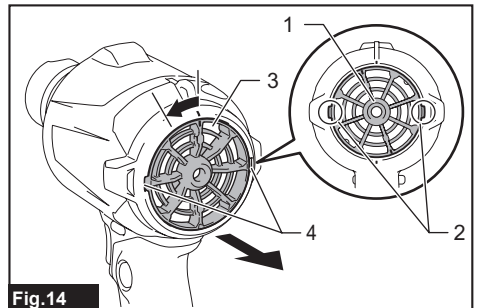


Fig.14

- 1. Dust cap 2. Locking tabs 3. Suction inlet 4. Guide grooves

2. Replace an optional high performance filter on the suction inlet, aligning the two locking tabs on the optional filter with the guide grooves on the housing. Then turn the optional filter clockwise to secure it in place.

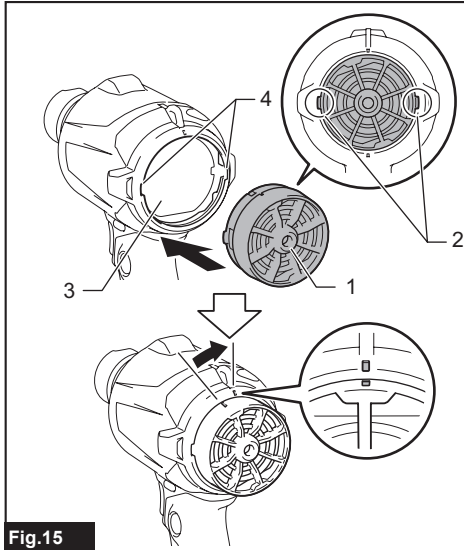


Fig.15

- 1. Optional high performance filter 2. Locking tabs
3. Suction inlet 4. Guide grooves

NOTICE: An optional high performance filter (Filter C) can be reused many times by cleaning it out. Clean dust off the filter regularly as a clogged filter may block the airflow and cause less efficient operation. Occasionally wash the filter in water, rinse and dry thoroughly in the shade before use.

NOTICE: Do not wipe, rub or scratch an optional high performance filter (Filter C) hardly. Be sure to shake or blow dust off the filter with care.

FUNCTIONAL DESCRIPTION

CAUTION: Always be sure that the tool is switched off and the battery cartridge is removed before adjusting or checking function on the tool.

Installing or removing battery cartridge

CAUTION: Always switch off the tool before installing or removing of the battery cartridge.

CAUTION: Hold the tool and the battery cartridge firmly when installing or removing battery cartridge. Failure to hold the tool and the battery cartridge firmly may cause them to slip off your hands and result in damage to the tool and battery cartridge and a personal injury.

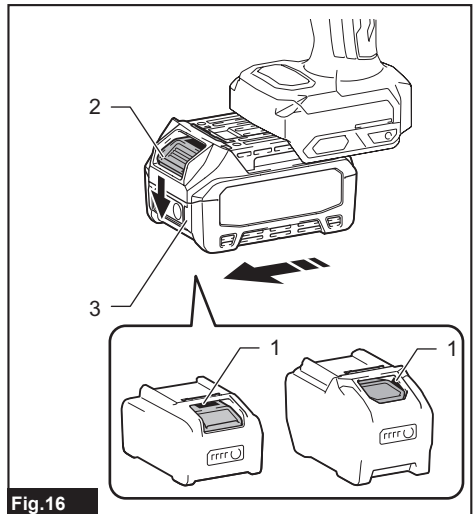


Fig.16

- 1. Red indicator 2. Button 3. Battery cartridge

To remove the battery cartridge, slide it from the tool while sliding the button on the front of the cartridge.

To install the battery cartridge, align the tongue on the battery cartridge with the groove in the housing and slip it into place. Insert it all the way until it locks in place with a little click. If you can see the red indicator as shown in the figure, it is not locked completely.

CAUTION: Always install the battery cartridge fully until the red indicator cannot be seen. If not, it may accidentally fall out of the tool, causing injury to you or someone around you.

CAUTION: Do not install the battery cartridge forcibly. If the cartridge does not slide in easily, it is not being inserted correctly.

Indicating the remaining battery capacity

Press the check button on the battery cartridge to indicate the remaining battery capacity. The indicator lamps light up for a few seconds.

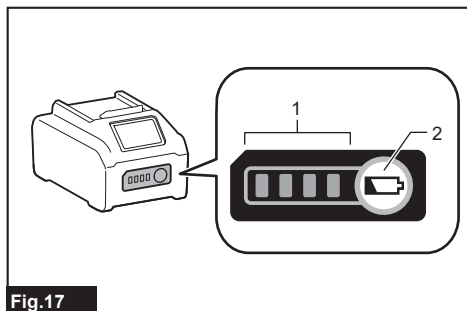


Fig.17

► 1. Indicator lamps 2. Check button

Indicator lamps			Remaining capacity
Lighted	Off	Blinking	
■ ■ ■ ■ ■			75% to 100%
■ ■ ■ ■ □			50% to 75%
■ ■ □ □			25% to 50%
■ □ □ □			0% to 25%
▬ □ □ □			Charge the battery.
■ ■ □ □			The battery may have malfunctioned.
□ □ ■ ■	↑ ↓		

NOTE: Depending on the conditions of use and the ambient temperature, the indication may differ slightly from the actual capacity.

NOTE: The first (far left) indicator lamp will blink when the battery protection system works.

Tool / battery protection system

The tool is equipped with a tool/battery protection system. This system automatically cuts off power to the motor to extend tool and battery life. The tool will automatically stop during operation if the tool or battery is placed under one of the following conditions:

Overload protection

When the tool/battery is operated in a manner that causes it to draw an abnormally high current, the tool stops automatically. In this situation, turn the tool off and stop the application that caused the tool to become overloaded. Then turn the tool on to restart.

Overheat protection

When the tool/battery is overheated, the tool stops automatically. In this situation, let the tool cool down before turning the tool on again.

Overdischarge protection

When the battery capacity is not enough, the tool stops automatically and the lamp will blink. In this case, remove the battery from the tool and charge the battery.

Protections against other causes

Protection system is also designed for other causes that could damage the tool and allows the tool to stop automatically. Take all the following steps to clear the causes, when the tool has been brought to a temporary halt or stop in operation.

1. Turn the tool off, and then turn it on again to restart.
2. Charge the battery(ies) or replace it/them with recharged battery(ies).
3. Let the tool and battery(ies) cool down.

If no improvement can be found by restoring protection system, then contact your local Makita Service Center.

Switch action

CAUTION: Before installing the battery cartridge into the tool, always check to see that the switch trigger actuates properly and returns to the "OFF" position when released.

CAUTION: Switch can be locked in "ON" position for ease of operator comfort during extended use. Apply caution while locking tool in "ON" position.

CAUTION: Do not install the battery cartridge with the lock-on button engaged.

CAUTION: When not operating the tool, depress the trigger-lock button from the side on which a locking mark (Ⓛ) is indicated to lock the switch trigger in the "OFF" position.

Trigger-lock button

To prevent the switch trigger from being accidentally pulled, the trigger-lock button is provided. To start the tool, depress the trigger-lock button from the side on which an unlocking mark (Ⓛ) is indicated. To lock the tool, depress the trigger-lock button from the side on which a locking mark (Ⓛ) is indicated. Make sure to set the trigger-lock button back in a locking position after each use.

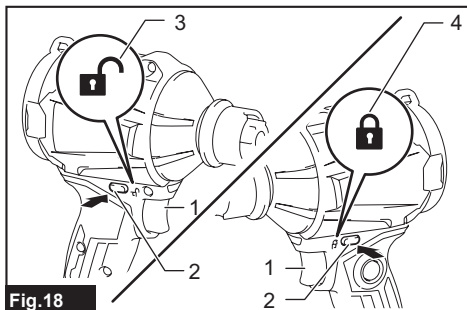


Fig.18

► 1. Switch trigger 2. Trigger-lock button 3. Unlocking mark 4. Locking mark

NOTICE: Do not pull the switch trigger hard without releasing the trigger-lock button. This can cause switch breakage.

Switch trigger

Air volume can be controlled by squeezing the switch trigger. Air volume is grown by increasing pressure on the switch trigger. Release the switch trigger to stop.

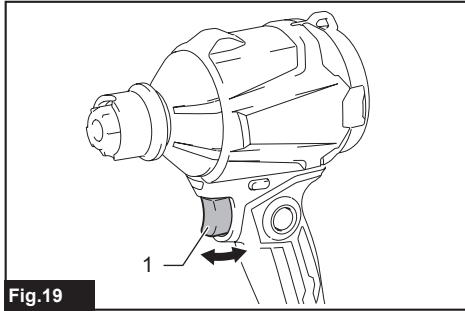


Fig.19

► 1. Switch trigger

Lock button

For continuous operation, push in the lock button while pulling the switch trigger and then release the switch trigger. To cancel the locked-on operation, pull the switch trigger fully, then release it.

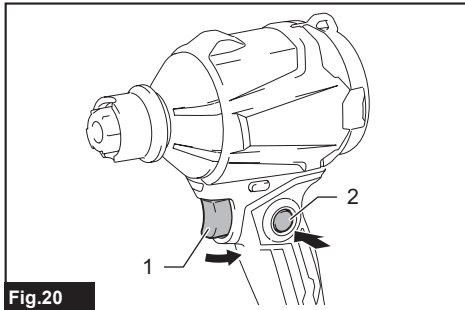


Fig.20

► 1. Switch trigger 2. Lock button

Adjusting air volume

Air volume can be changed in four modes, that is, 4 (Max), 3 (High), 2 (Medium) and 1 (Low), depending on the application and workload.

Press the air volume adjustment button to switch mode in the following sequence. The mode changes every time you press the button.

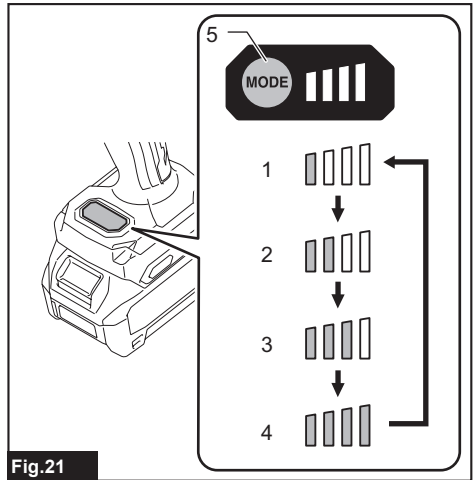


Fig.21

► 1. Low air volume 2. Medium air volume 3. High air volume 4. Max air volume 5. Air volume adjustment button

Air volume settings table

Air volume mode	Maximum air volume
4: Max	1.1 m ³ /min (39 cu.ft/min)
3: High	1.0 m ³ /min (35 cu.ft/min)
2: Medium	0.8 m ³ /min (28 cu.ft/min)
1: Low	0.6 m ³ /min (21 cu.ft/min)

* Maximum air volumes are measured without nozzles.

NOTE: Air volume mode can be changed before turning the tool on.

NOTE: The tool starts operation with the last air volume mode settings in use.

Lighting up the lamp

CAUTION: Do not look in the light or see the source of light directly.

To turn the lamp on, perform one of the following steps.

- Pull the switch trigger to light the lamp up. The lamp keeps on lighting while the switch trigger is being pulled. The lamp goes out approximately 10 seconds after stopping operation.
- Press the air volume adjustment button. The lamp goes off in approximately 10 seconds.

NOTE: When the remaining battery capacity gets low, the lamp starts blinking. The timing, at which the lamp starts blinking depends on the temperature at work place and the battery cartridge conditions.

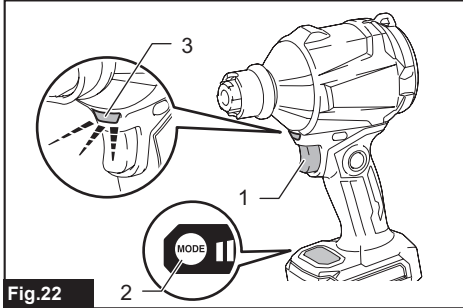


Fig.22

- ▶ 1. Switch trigger 2. Air volume adjustment button 3. Lamp

Hanging hole

CAUTION: Before hanging the tool, always make sure that the hanging hole is not damaged.

CAUTION: Use the hanging/mounting parts for their intended purposes only. Using for unintended purpose may cause accident or personal injury.

CAUTION: Withstanding load rated for your tools racks and holders needs to be learned beforehand. Do not place the tool if it exceeds the withstanding load on the racks and holders.

CAUTION: Be sure that the hanging hole is securely hooked before releasing your hold.

Use the hanging hole at the top rear of the housing to hang the tool on a hook of racks and holders.

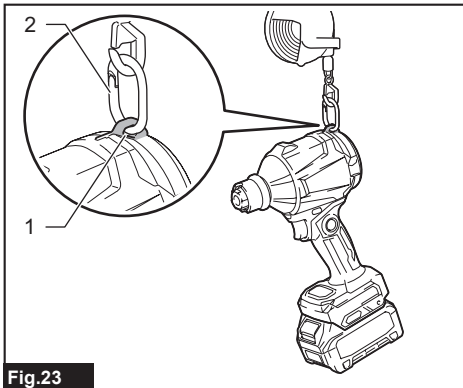


Fig.23

- ▶ 1. Hanging hole 2. Hook

Installing hook

Optional accessory

WARNING: Use the hanging/mounting parts for their intended purposes only, e.g., hanging the tool on a tool belt between jobs or work intervals.

WARNING: Be careful not to overload the hook as too much force or irregular overburden may cause damages to the tool resulting in personal injury.

CAUTION: When installing the hook, always secure it with the screw firmly. If not, the hook may come off from the tool and result in the personal injury.

CAUTION: Make sure to hang the tool securely before releasing your hold. Insufficient or unbalanced hooking may cause falling off and you may be injured.

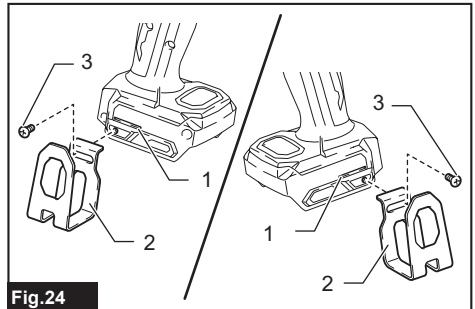


Fig.24

- ▶ 1. Groove 2. Hook 3. Screw

The hook is convenient for temporarily hanging the tool. This can be installed on either side of the tool. To install the hook, insert it into a groove in the tool housing on either side and then secure it with a screw. To remove, loosen the screw and then take it out.

OPERATION

CAUTION: Do not point the nozzle at anyone nearby during operation.

NOTICE: Do not block suction inlet and/or blower outlet during operation.

Blowing in general use

Recommended nozzles

— Nozzle 13

Clean your work surfaces and floors by blowing off dust, dirt, debris, scrap or waste in general.

Direct the nozzle towards surfaces at an appropriate distance and swing it around to blow off entirely.

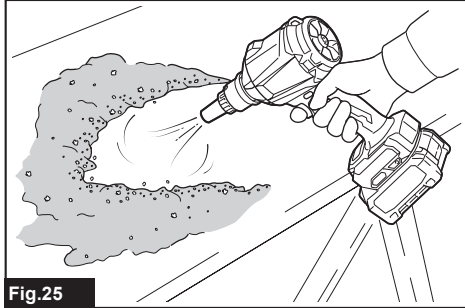


Fig.25

CAUTION: Never blow debris in the direction of bystanders or pets.

CAUTION: Use personal protective equipment such as a dust mask and eye protection.

NOTICE: Remove blockages on surfaces away before blowing operation.

Blowing in confined spaces

Recommended nozzles

— Nozzle 3

Blow into confined spots, corners, and spaces by the walls to dust off.

Point the nozzle straight at spaces at a reasonable distance and squeeze the switch trigger to control blowing air volume.

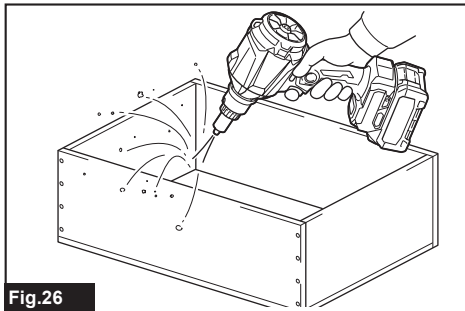


Fig.26

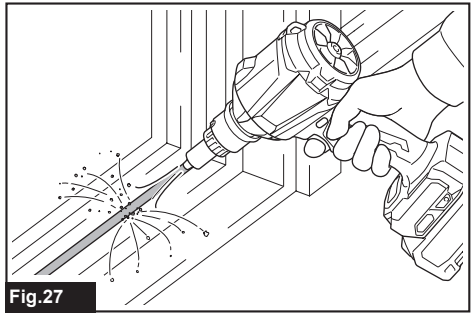


Fig.27

CAUTION: Keep the nozzle away a reasonable distance from blowing spots to avoid blowing up dust into the air.

CAUTION: Use personal protective equipment such as a dust mask and eye protection.

NOTICE: Avoid blocking the air vent holes around the blower outlet. It otherwise may cause sudden noise and vibrations and could possibly affect the tool performance.

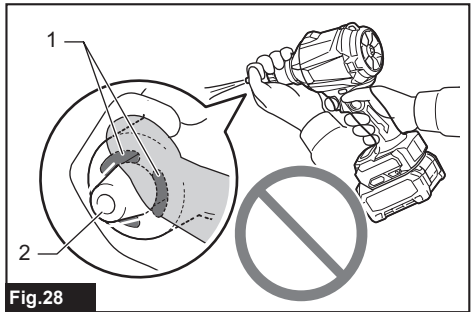


Fig.28

► 1. Air vent holes 2. Blower outlet

Dusting air filter

Recommended nozzles

— Nozzle 7

Dust filter surfaces by blowing air through one side of the filter to the other.

Direct the nozzle on filter surfaces within a short distance and swing it from side to side to blow dust away from surfaces.

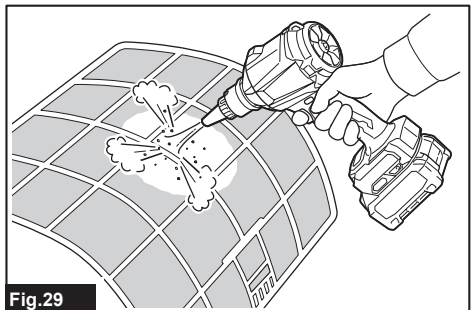


Fig.29

CAUTION: Use personal protective equipment such as a dust mask and eye protection.

NOTE: Point the nozzle at an angle according to the outlines of the filter so the adhered dust can be easily removed.

Blowing wide and open area

Recommended nozzles

— Wide range nozzle

Blow air over dirt and liquid on wide-open surfaces such as desktop and floor, using the five-hole nozzle with 120 degree range of blowing.

Direct the nozzle over a large area within a certain distance and swing it back and forth and from side to side to blow widely.

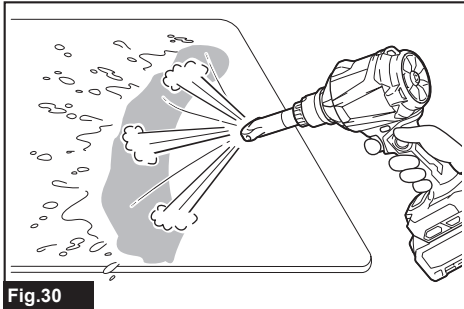


Fig.30

CAUTION: Use personal protective equipment such as a dust mask and eye protection.

Inflating plastic inflatables

Recommended nozzles

— Pinch valve nozzle

— Nozzle 13

Inflatable air volume with fully charged battery cartridge BL4025 without recharging it

Air volume mode	Inflatable air volume (With pinch valve nozzle)	Number of ø61 cm (ø24") plastic beach balls equivalent in air volume (With pinch valve nozzle)
4: Max	8.9 m ³ (314 cu.ft)	75
3: High	9.5 m ³ (335 cu.ft)	80
2: Medium	13.0 m ³ (459 cu.ft)	110
1: Low	21.3 m ³ (752 cu.ft)	180

NOTE: The maximum output air pressure of this tool is 20.6 kPa (2.9 PSI).

(With nozzle 13)

Inflate beach toys, pillows, and similar small plastic inflatables with pinch valve nozzle.
Inflate garden pools, air mattresses, and similar large plastic inflatables with nozzle 13.

Insert the nozzle into an air inlet on an inflatable item and pull the switch trigger to start inflating.
Slowly release the switch trigger to reduce air volume as the inflatable item comes close to fully inflated.
Remove the nozzle from the air inlet after stopping the air flow and then close the air inlet.

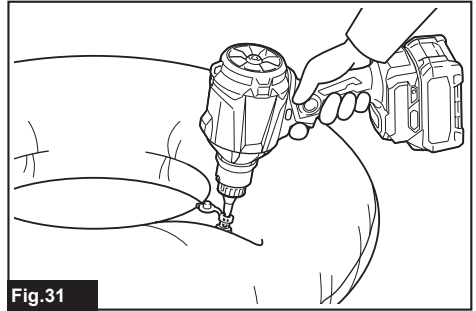


Fig.31

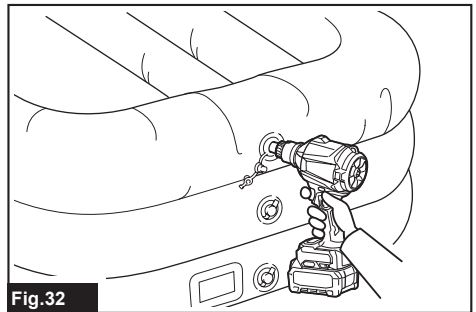


Fig.32

CAUTION: Always be careful not to over-inflate inflatables during operation. It otherwise may burst the inflatables, possibly causing damage to the tool and personal injury.

CAUTION: Never leave the tool unattended while the nozzle is attached to inflatables or during operation.

CAUTION: Be aware that heated air stream may flow through the air vent hole at bottleneck of the pinch valve nozzle due to air circulation.

NOTE: Make sure to insert the pinch valve nozzle fully through the air inlet so the nozzle head serves to open the flap valve inside the air inlet.

NOTE: For an inflatable item with a small air inlet opening, insert the narrow tip of the pinch valve nozzle in the air inlet until the bottleneck of the nozzle head touches the rim of the air inlet.

NOTE: For an inflatable item with a large air inlet opening, insert the pinch valve nozzle head fully into the air inlet to open the flap valve inside the air inlet.

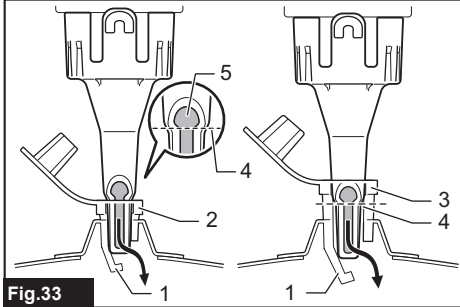


Fig.33

- ▶ 1. Flap valve 2. Small air inlet opening 3. Large air inlet opening 4. Bottleneck 5. Air vent hole

NOTE: If an air inlet on an inflatable item is relatively smaller than the pinch valve nozzle head, squeeze and enlarge the air inlet by hand and then twist and hold the nozzle head into the air inlet.

Blowing in holes and narrow spots

Optional accessory

Recommended nozzles

- Long nozzles set

Clean dust out of small holes and narrow spots. Nozzle lengths can be arranged according to your requirements.

Assemble the long nozzle R and F together to allow a longer operating range, for instance, cleaning anchor holes at your feet.

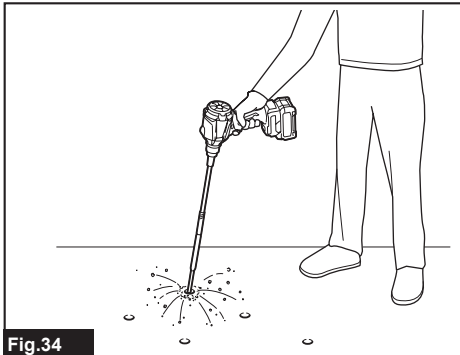


Fig.34

Use the long nozzle R only to have a shorter operating range, for instance, cleaning spots on the wall.

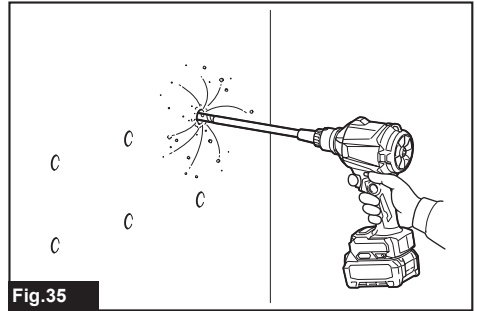


Fig.35

CAUTION: Use personal protective equipment such as a dust mask and eye protection.

Blowing in narrow spaces

Optional accessory

Recommended nozzles

- Flexible nozzle 6

Blow dust out of any hard-to-reach spots. Highly effective for engine cleaning, in-car dust removal, computer case dust blowing.

Point the nozzle at an angle within touching distance, and blow back and forth to clean out lingering dust. Change angles of the nozzle as you blow off to help blow out some of the tougher pieces of debris and dust.

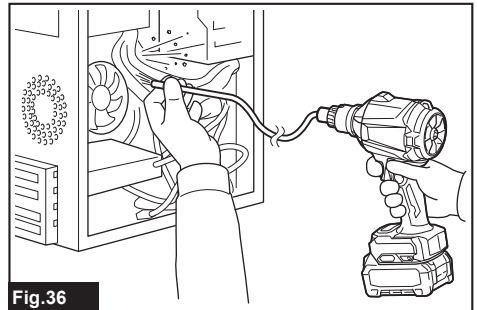


Fig.36

CAUTION: Use personal protective equipment such as a dust mask and eye protection.

NOTICE: Avoid blocking the air vent holes around the flexible hose end. It otherwise may cause sudden noise and vibrations and could possibly affect the tool performance.

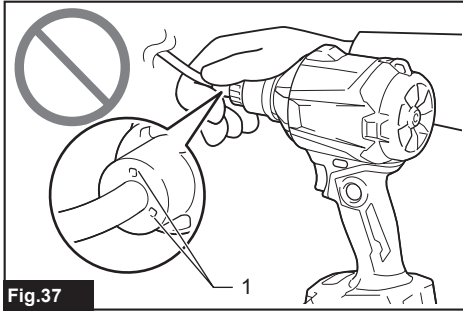


Fig.37

► 1. Air vent holes

Deflating plastic inflatables

Optional accessory

NOTICE: Avoid deflating inflatable items in wet and dusty conditions since water, dust, and similar external substances on surfaces may reach into the motor causing damages to the tool. Dry and clean inflatables off thoroughly before performing deflating operation.

NOTICE: Never leave the tool unattended while deflating inflatables. Running the motor continuously after deflation is completed may cause overheating.

Recommended nozzles and attachments

- Air vent hose complete
- Pinch valve nozzle
- Rubber attachment 20 - 30
- Rubber attachment 65

Deflate inflatable items with proper nozzles according to your preferences and applications.

1. Place a nozzle or rubber attachment onto the air vent hose complete.
2. Replace the dust cap on the suction inlet of the tool with the air vent hose complete.
3. Insert the nozzle into the air valve or place the attachment over the air valve on inflatable items, and pull the switch trigger to start deflating.
4. Slowly release the switch trigger to reduce suction volume as an inflatable item comes close to fully deflated.

5. Remove the nozzle or attachment from the air valve after stopping the air flow and then close the air valve.

With pinch valve nozzle

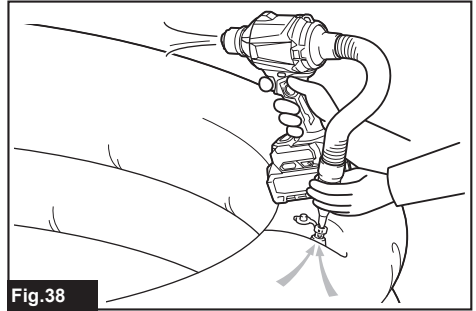


Fig.38

With rubber attachment 20 - 30

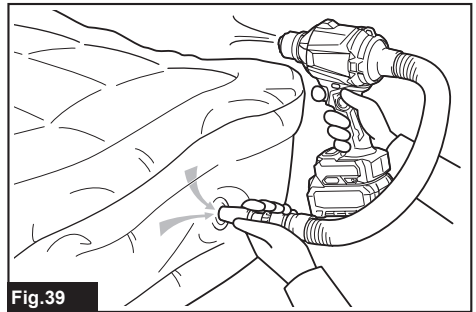


Fig.39

With rubber attachment 65

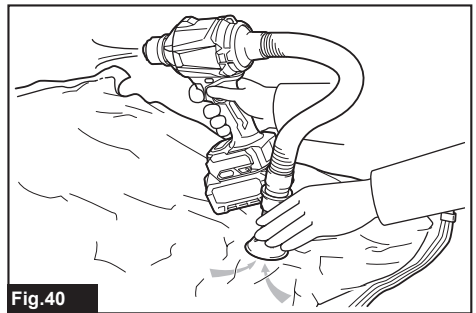


Fig.40

MAINTENANCE

CAUTION: Always be sure that the tool is switched off and the battery cartridge is removed before attempting to perform inspection or maintenance.

To maintain product SAFETY and RELIABILITY, repairs, any other maintenance or adjustment should be performed by Makita Authorized or Factory Service Centers, always using Makita replacement parts.

NOTICE: Never use gasoline, benzine, thinner, alcohol or the like. Discoloration, deformation or cracks may result.

Cleaning

Cleaning body

Clean the body of your tool with a dry cloth or cloth dampened in soapy water at regular intervals.

Cleaning nozzles

Clear clogs or dust that block the openings of nozzles before and after each use.

Removing and installing filter

CAUTION: After cleaning filter, be sure to reassemble it in the correct position.

Clean the filter at regular intervals since using a clogged filter may result in poor suction performance.

1. Turn the dust cap on the suction inlet at the rear of the housing counterclockwise to take the dust cap out of the housing. Two locking tabs on the dust cap can be disengaged by aligning them with the guide grooves on the housing.

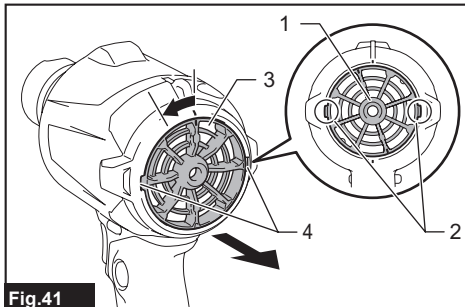


Fig.41

► 1. Dust cap 2. Locking tabs 3. Suction inlet 4. Guide grooves

2. Take the circular sponge filter B (black gray) out of the suction inlet.

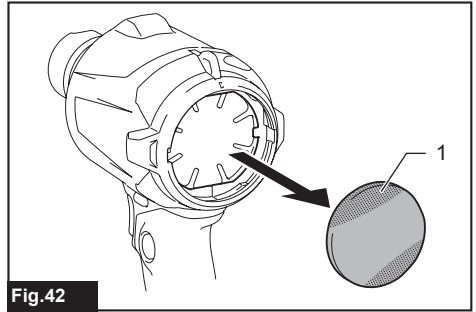


Fig.42

► 1. Circular sponge filter B (black gray)

Do not remove the sponge filter A (yellow) placed further inside the suction inlet as it needs to be positioned to protect the motor from any damage.

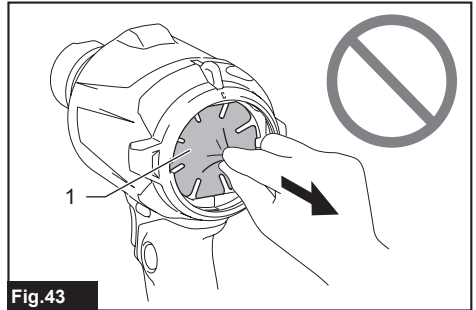


Fig.43

► 1. Sponge filter A (yellow)

3. Wipe and shake dust off circular sponge filter B by hand. Occasionally wash the filter in water, rinse and dry thoroughly in the shade before use.

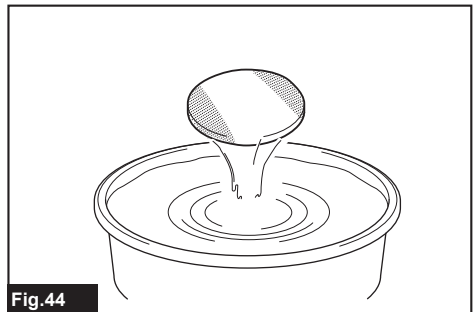


Fig.44

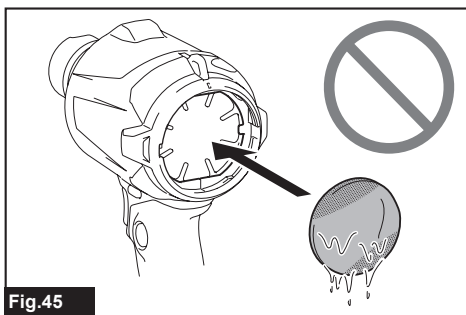


Fig.45

NOTICE: Having washed in water, dry the circular sponge filter B up before installing. An insufficiently dried filter may shorten the service life of the motor.

NOTICE: Never wash filters in a washing machine.

NOTICE: Do not rub or scratch filters with hard objects such as a brush.

NOTE: Filters wear out in course of time. It is recommended to have some spares for them.

4. Set the circular sponge filter B back over the suction inlet.

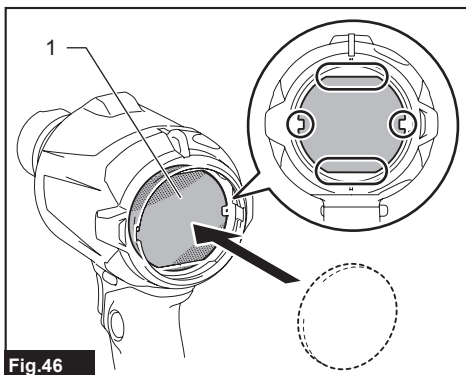


Fig.46

- ▶ 1. Circular sponge filter B

5. Reassemble the dust cap onto the suction inlet, aligning the two locking tabs on the dust cap with the guide grooves on the housing. Then turn the dust cap clockwise to secure it in place.

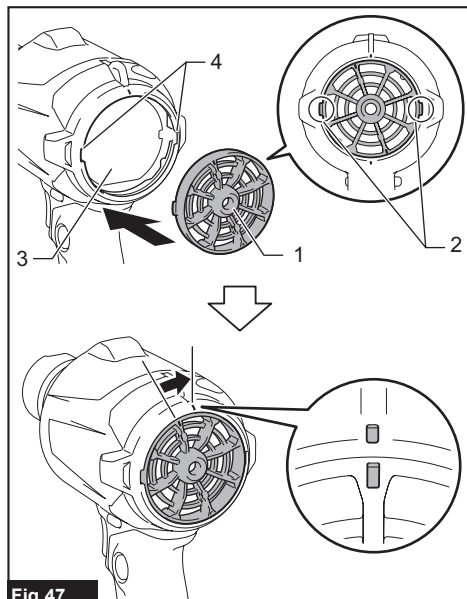


Fig.47

- ▶ 1. Dust cap 2. Locking tabs 3. Suction inlet 4. Guide grooves

TROUBLESHOOTING

Before asking for repairs, conduct your own inspection first. If you find a problem that is not explained in the manual, do not attempt to dismantle the machine. Instead, ask Makita Authorized Service Centers, always using Makita replacement parts for repairs.

State of abnormality	Probable cause (malfunction)	Remedy
Motor does not run.	Battery cartridge is not installed.	Install the battery cartridge.
	Battery problem (under voltage)	Recharge the battery. If recharging is not effective, replace battery.
	The drive system does not work correctly.	Ask your local authorized service center for repair.
Motor stops running after a little use.	Battery's charge level is low.	Recharge the battery. If recharging is not effective, replace battery.
	Overheating.	Stop using the tool to cool it down.
The tool does not reach the maximum air volume.	Battery is installed improperly.	Install the battery cartridge as described in this manual.
	Battery power is dropping.	Recharge the battery. If recharging is not effective, replace battery.
	The drive system does not work correctly.	Ask your local authorized service center for repair.
Abnormal vibration: ⇒ stop the tool immediately!	The drive system does not work correctly.	Ask your local authorized service center for repair.
Motor cannot stop: ⇒ Remove the battery immediately!	Electric or electronic malfunction.	Remove the battery and ask your local authorized service center for repair.

OPTIONAL ACCESSORIES

⚠ CAUTION: These accessories or attachments are recommended for use with your Makita product specified in this manual. The use of any other accessories or attachments might present a risk of injury to persons. Only use accessory or attachment for its stated purpose.

If you need any assistance for more details regarding these accessories, ask your local Makita Service Center.

- Nozzle 3
- Nozzle 7
- Nozzle 13
- Wide range nozzle
- Pinch valve nozzle
- Flexible nozzle 6
- Long nozzles set
- Air vent hose complete
- Rubber attachment 20 - 30
- Rubber attachment 65
- Filter C
- Hook
- Makita genuine battery and charger

NOTE: Some items in the list may be included in the product package as standard accessories. They may differ from country to country.

MAKITA LIMITED WARRANTY

Please refer to the annexed warranty sheet for the most current warranty terms applicable to this product. If annexed warranty sheet is not available, refer to the warranty details set forth at below website for your respective country.

United States of America: www.makitatools.com

Canada: www.makita.ca

Other countries: www.makita.com

SPÉCIFICATIONS

Modèle :		AS001G
Vitesse du flux d'air (moyenne) ^{*2*3}		163 m/s (364 MPH)
Vitesse du flux d'air (max.) ^{*2*3}		200 m/s (447 MPH)
Volume d'air maximum ^{*1*2}		1,1 m ³ /min (39 cu.ft/min)
Force de soufflage maximum ^{*1*2}	4 : Max.	2,8 N (0,63 lbf)
	3 : Élevé	2,3 N (0,52 lbf)
	2 : Moyen	1,7 N (0,38 lbf)
	1 : Bas	1,1 N (0,25 lbf)
Utilisation continue ^{*1*2}	4 : Max.	13 min
	3 : Élevé	17 min
	2 : Moyen	25 min
	1 : Bas	50 min
Pression d'air maximale ^{*2*3}		29,7 kPa (4,2 PSI)
Dimensions (L x P x H) ^{*1*2}		180 mm x 94 mm x 300 mm (7-1/8" x 3-11/16" x 11-3/4")
Tension nominale		C.C. 36 V - 40 V max.
Poids net		1,5 - 2,9 kg (3,3 - 6,4 lbs)

^{*1} Sans buse

^{*2} Avec modèle de batterie BL4025

^{*3} Avec buse 7

- Étant donné l'évolution constante de notre programme de recherche et développement, les spécifications contenues dans ce manuel sont sujettes à modification sans préavis.
- Les spécifications peuvent varier suivant les pays.
- Le poids peut varier selon les accessoires, y compris la batterie. La plus légère et la plus lourde combinaisons, selon la procédure EPTA 01/2014, sont indiquées dans le tableau.

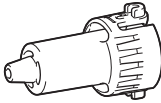
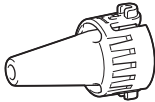
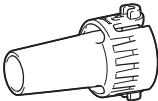
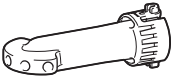
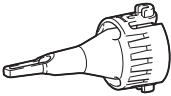

Batteries et chargeurs applicables

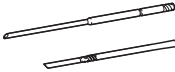
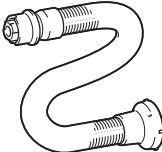

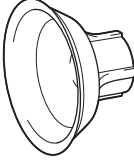
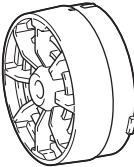
Batterie	BL4020* / BL4025* / BL4040* / BL4050F / BL4080F * : Batterie recommandée
Chargeur	DC40RA / DC40RB / DC40RC

- Suivant la région où vous habitez, il se peut que certaines des batteries et certains des chargeurs énumérés ci-dessus ne soient pas disponibles.

⚠ MISE EN GARDE : Utilisez exclusivement les batteries et chargeurs énumérés ci-dessus. L'utilisation de toute autre batterie ou tout autre chargeur peut entraîner une blessure et/ou un incendie.

Buses et accessoires applicables

Buses et accessoires	Applications et utilisations	Diamètres
<p>Buse 3</p> 	<p>Souffler l'air dans des espaces confinés, des coins et des espaces à côté de murs pour dépeussier.</p>	<p>ø3,0 mm (ø1/8")</p>
<p>Buse 7</p> 	<p>Dépeussier des filtres.</p>	<p>ø7,0 mm (ø9/32")</p>
<p>Buse 13</p> 	<p>Utilisation en tant que souffleur Nettoyer les surfaces de travail et souffler la poussière en général. Nettoyage des trous d'ancrage avec des buses longues offertes en option. Fonctionnant comme un joint entre les buses longues et la sortie de souffleur de l'outil.</p> <p>Utilisation comme un gonfleur Gonfler de grandes piscines gonflables ou des matelas pneumatiques.</p> <p>Utilisation comme un dégonfleur Dégonfler de grandes piscines gonflables ou des matelas pneumatiques. Fonctionnant comme un joint entre le tuyau des orifices d'aération complet et les raccords en caoutchouc.</p>	<p>ø13 mm (ø1/2")</p>
<p>Buse de grande portée</p> 	<p>Souffler de l'air sur la saleté et le liquide sur une surface de travail ou un grand espace ouvert. Portée de soufflage : 120° avec 5 trous</p>	<p>ø6,0 mm (ø1/4") * Diamètre d'un seul trou</p>
<p>Buse pour valve à pincement</p> 	<p>Gonfler/dégonfler des jouets de plage, des oreillers et des objets gonflables en plastique similaires. * Il est possible d'accomplir l'opération de dégonflage avec le tuyau des orifices d'aération complet.</p>	<p>ø7,0 mm (ø9/32")</p>
<p>Buse flexible 6</p> 	<p>Souffler la poussière hors de tout endroit difficile d'accès, d'ordinateurs de bureau ou d'appareils similaires.</p>	<p>ø6,0 mm x 800 mm (ø1/4" x 31-1/2")</p>

Buses et accessoires	Applications et utilisations	Diamètres
<p data-bbox="81 81 286 97">Ensemble de buses longues</p> 	<p data-bbox="320 81 843 177">Un ensemble de buses adéquat pour souffler la poussière hors des trous d'ancrage et des endroits étroits. Il est possible de changer la longueur de la buse en posant et en retirant deux têtes de buse. * Il est possible d'installer des buses longues en utilisant une buse 13 comme joint.</p>	<p data-bbox="854 81 986 97">ø8,0 mm (ø5/16")</p>
<p data-bbox="81 308 311 323">Tuyau des orifices d'air complet</p> 	<p data-bbox="320 308 790 344">Dégonfler des articles gonflables avec des buses appropriées en utilisation.</p>	<p data-bbox="854 308 865 323">-</p>
<p data-bbox="81 531 309 547">Raccord en caoutchouc 20 - 30</p> 	<p data-bbox="320 531 832 608">Tête de buse adéquate pour dégonfler des objets gonflables (matelas, radeaux pneumatiques, bateaux et piscines). * Il faut installer ce raccord avec le tuyau des orifices d'air complet et la buse 13.</p>	<p data-bbox="854 531 1014 608">ø20 - 30 mm (ø13/16 - 1-3/16") * Mesuré comme diamètre externe.</p>
<p data-bbox="81 754 275 770">Raccord en caoutchouc 65</p> 	<p data-bbox="320 754 832 831">Raccord adéquat pour ranger vos vêtements en compressant l'air entre ceux-ci. * Il faut installer ce raccord avec le tuyau des orifices d'air complet et la buse 13.</p>	<p data-bbox="854 754 992 770">ø65 mm (ø2-9/16")</p>
<p data-bbox="81 978 135 994">Filtre C</p> 	<p data-bbox="320 978 820 1023">Raccord conçu pour déduire l'admission de poussière dans le moteur dans des conditions de travail poussiéreuses.</p>	<p data-bbox="854 978 865 994">-</p>

CONSIGNES DE SÉCURITÉ

Consignes de sécurité générales pour outils électriques

⚠ MISE EN GARDE Veuillez lire l'ensemble des consignes de sécurité, instructions, illustrations et spécifications fournies pour cet outil électrique. Il existe un risque de décharge électrique, d'incendie et/ou de blessures graves si toutes les instructions énumérées ci-dessous ne sont pas respectées.

Conservez toutes les mises en garde et instructions pour référence future.

Le terme « outil électrique » qui figure dans les avertissements fait référence à un outil électrique branché sur une prise de courant (par un cordon d'alimentation) ou alimenté par batterie (sans fil).

Sécurité de la zone de travail

1. **Maintenez la zone de travail propre et bien éclairée.** Les zones de travail encombrées ou sombres ouvrent grande la porte aux accidents.
2. **N'utilisez pas les outils électriques dans les atmosphères explosives, par exemple en présence de liquides, gaz ou poussières inflammables.** Les outils électriques produisent des étincelles au contact desquelles la poussière ou les vapeurs peuvent s'enflammer.
3. **Assurez-vous qu'aucun enfant ou curieux ne s'approche pendant que vous utilisez un outil électrique.** Vous risquez de perdre la maîtrise de l'outil si votre attention est détournée.

Sécurité en matière d'électricité

1. **Les fiches d'outil électrique sont conçues pour s'adapter parfaitement aux prises de courant. Ne modifiez jamais la fiche de quelque façon que ce soit. N'utilisez aucun adaptateur de fiche sur les outils électriques avec mise à la terre.** En ne modifiant pas les fiches et en les insérant dans des prises de courant pour lesquelles elles ont été conçues, vous réduirez les risques de choc électrique.
2. **Évitez tout contact corporel avec les surfaces mises à la terre, telles que tuyaux, radiateurs, cuisinières et réfrigérateurs.** Le risque de choc électrique est plus élevé si votre corps se trouve mis à la terre.
3. **N'exposez pas les outils électriques à la pluie ou à l'eau.** La présence d'eau dans un outil électrique augmente le risque de choc électrique.
4. **Ne maltraitez pas le cordon. N'utilisez jamais le cordon pour transporter, tirer ou débrancher l'outil électrique. Maintenez le cordon à l'écart des sources de chaleur, de l'huile, des objets à bords tranchants et des pièces en mouvement.** Le risque de choc électrique est plus élevé lorsque les cordons sont endommagés ou enchevêtrés.
5. **Lorsque vous utilisez un outil électrique à l'extérieur, utilisez un cordon prolongateur conçu pour l'usage extérieur.** Les risques de choc électrique est moindre lorsqu'un cordon conçu pour l'usage extérieur est utilisé.

6. **Si vous devez utiliser un outil électrique dans un endroit humide, utilisez une source d'alimentation protégée par un disjoncteur de fuite à la terre.** L'utilisation d'un disjoncteur de fuite à la terre réduit le risque de choc électrique.
7. **Les outils électriques peuvent produire des champs électromagnétiques (CEM) qui ne sont pas préjudiciables à l'utilisateur.** Les utilisateurs de stimulateur cardiaque ou autres appareils médicaux similaires doivent toutefois demander conseil au fabricant et/ou à leur médecin avant d'utiliser cet outil électrique.

Sécurité personnelle

1. **Restez alerte, attentif à vos mouvements et faites preuve de bon sens lorsque vous utilisez un outil électrique. N'utilisez pas les outils électriques si vous êtes fatigué ou avez pris une drogue, de l'alcool ou un médicament.** Un moment d'inattention pendant l'utilisation d'un outil électrique peut entraîner une grave blessure.
2. **Portez des dispositifs de protection personnelle. Portez toujours une protection oculaire.** Les risques de blessure seront moins élevés si vous utilisez des dispositifs de protection tels qu'un masque anti-poussière, des chaussures à semelle antidérapante, une coiffure résistante ou une protection d'oreilles.
3. **Évitez les démarrages accidentels. Assurez-vous que l'interrupteur est en position d'arrêt avant de brancher l'outil à la prise de courant et/ou au bloc-piles, et avant de prendre ou de transporter l'outil.** Vous ouvrez la porte aux accidents si vous transportez les outils électriques avec le doigt sur l'interrupteur ou si vous les branchez alors que l'interrupteur est en position de marche.
4. **Retirez toute clé de réglage ou de serrage avant de mettre l'outil électrique sous tension.** Toute clé laissée en place sur une pièce rotative de l'outil électrique peut entraîner une blessure.
5. **Ne vous étirez pas exagérément. Assurez-vous d'une bonne prise au sol et d'un bon équilibre en tout temps.** Cela vous permettra d'avoir une meilleure maîtrise de l'outil électrique dans les situations imprévues.
6. **Habilitez-vous convenablement. Ne portez pas de vêtement ample ou des bijoux. Maintenez vos cheveux et vos vêtements à l'écart des pièces mobiles.** Les vêtements amples, les bijoux et les cheveux longs peuvent rester pris dans les pièces mobiles.
7. **Si des accessoires sont fournis pour raccorder un appareil d'aspiration et de collecte de la poussière, assurez-vous qu'ils sont correctement raccordés et qu'ils sont utilisés de manière adéquate.** L'utilisation d'un appareil de collecte permet de réduire les risques liés à la présence de poussière dans l'air.
8. **Évitez d'être complaisant et d'ignorer les principes de sécurité de l'outil en raison de la familiarité acquise par un usage fréquent des outils.** Un geste imprudent peut entraîner une grave blessure en une fraction de seconde.

9. **Portez toujours des lunettes à coques de protection pour protéger vos yeux contre les blessures lors de l'utilisation d'outils électriques. Les lunettes à coques doivent être conformes à ANSI Z87.1 aux États-Unis.**
L'employeur a la responsabilité d'imposer l'utilisation d'équipements de protection de sécurité adéquats aux utilisateurs des outils électriques et à toute autre personne se trouvant dans la zone de travail immédiate.

Utilisation et entretien des outils électriques

1. **Ne forcez pas l'outil électrique. Utilisez l'outil électrique adéquat suivant le type de travail à effectuer.** Si vous utilisez l'outil électrique adéquat et respectez le régime pour lequel il a été conçu, il effectuera un travail de meilleure qualité et plus sécuritaire.
2. **N'utilisez pas l'outil électrique s'il n'est pas possible de l'allumer et de l'éteindre avec son interrupteur.** Un outil électrique dont l'interrupteur est défectueux représente un danger et doit être réparé.
3. **Avant d'effectuer tout réglage, de remplacer un accessoire ou de ranger l'outil électrique, débranchez la fiche de la source d'alimentation et/ou retirez la batterie de l'outil électrique si elle est amovible.** Ces mesures préventives de sécurité réduisent les risques de démarrage accidentel de l'outil électrique.
4. **Après l'utilisation d'un outil électrique, rangez-le hors de portée des enfants et ne laissez aucune personne l'utiliser si elle n'est pas familiarisée avec l'outil électrique ou les présentes instructions d'utilisation.** Les outils électriques représentent un danger entre les mains de personnes qui n'en connaissent pas le mode d'utilisation.
5. **Effectuez l'entretien des outils électriques et des accessoires. Assurez-vous que les pièces mobiles ne sont pas désalignées ou coincées, qu'aucune pièce n'est cassée et que l'outil électrique n'a subi aucun dommage affectant son bon fonctionnement. Le cas échéant, faites réparer l'outil électrique avant de l'utiliser.** De nombreux accidents sont causés par des outils électriques mal entretenus.
6. **Maintenez les outils tranchants bien aiguisés et propres.** Un outil tranchant dont l'entretien est effectué correctement et dont les bords sont bien aiguisés risquera moins de se coincer et sera plus facile à maîtriser.
7. **Utilisez l'outil électrique, ses accessoires, ses embouts, etc., en respectant les présentes instructions, en tenant compte des conditions de travail et du type de travail à effectuer.** L'utilisation d'un outil électrique pour d'autres usages que ceux prévus peut entraîner une situation dangereuse.
8. **Gardez les poignées et surfaces de saisie sèches, propres et exemptes d'huile et de graisse.** Les poignées et surfaces de saisie glissantes ne permettent pas une manipulation sûre et une bonne maîtrise de l'outil dans les situations inattendues.

9. **Lors de l'utilisation de l'outil, ne portez pas de gants de travail en tissu qui risquent de s'enchevêtrer dans l'outil.** L'enchevêtrement de gants de travail en tissu dans les pièces en mouvement peut entraîner une blessure.

Utilisation et entretien des outils alimentés par batterie

1. **Pour recharger, utilisez uniquement le chargeur spécifié par le fabricant.** L'utilisation d'un chargeur conçu pour un type donné de bloc-piles comporte un risque d'incendie lorsqu'il est utilisé avec un autre type de bloc-piles.
2. **N'utilisez un outil électrique qu'avec le bloc-piles conçu spécifiquement pour cet outil.** Il y a risque de blessure ou d'incendie si un autre bloc-piles est utilisé.
3. **Lorsque vous n'utilisez pas le bloc-piles, rangez-le à l'écart des objets métalliques tels que trombones, pièces de monnaie, clés, clous, vis ou autres petits objets métalliques qui risqueraient d'établir une connexion entre les bornes.** La mise en court-circuit des bornes de batterie peut causer des brûlures ou un incendie.
4. **Dans des conditions d'utilisation inadéquates de la batterie, il peut y avoir fuite d'électrolyte; évitez tout contact avec ce liquide. En cas de contact accidentel, rincez avec beaucoup d'eau. Si le liquide pénètre dans vos yeux, il faut aussi consulter un médecin.** L'électrolyte qui s'échappe de la batterie peut causer des irritations ou des brûlures.
5. **N'utilisez pas une batterie ou un outil s'il est endommagé ou modifié.** Les batteries endommagées ou modifiées peuvent avoir un comportement imprévisible dont peut résulter un incendie, une explosion ou un risque de blessure.
6. **N'exposez pas une batterie ou un outil au feu ou à une température excessive.** L'exposition au feu ou à une température supérieure à 130 °C peut entraîner une explosion.
7. **Suivez toutes les instructions de charge et ne chargez pas la batterie ou l'outil à l'extérieur de la plage de température spécifiée dans les instructions.** Charger de manière inadéquate ou à des températures hors de la plage spécifiée peut endommager la batterie et augmenter le risque d'incendie.

Réparation

1. **Faites réparer votre outil électrique par un réparateur qualifié qui utilise des pièces de rechange identiques aux pièces d'origine.** Le maintien de la sûreté de l'outil électrique sera ainsi assuré.
2. **N'essayez jamais de réparer les batteries endommagées.** La réparation des batteries ne doit être effectuée que par le fabricant ou par un fournisseur de service après-vente agréé.
3. **Suivez les instructions de lubrification et de remplacement des accessoires.**
4. **Ne modifiez pas ou n'essayez pas de réparer l'appareil ou la batterie autrement que tel qu'indiqué dans les instructions d'utilisation et d'entretien.**

IMPORTANTES CONSIGNES DE SÉCURITÉ

Lors de l'utilisation d'un appareil électrique, vous devez toujours prendre des précautions de base, dont les suivantes :

CONSERVEZ CES INSTRUCTIONS.

MISE EN GARDE : Pour réduire les risques d'incendie, de décharge électrique et de blessure :

1. Ne quittez pas l'appareil alors que la batterie y est insérée. Retirez la batterie de l'appareil lorsqu'il n'est pas utilisé et avant de le faire réparer.
2. Ne l'exposez pas à la pluie. Rangez-le à l'intérieur.
3. Ne laissez pas les enfants l'utiliser comme jouet. Une attention particulière est nécessaire lors de l'utilisation par les enfants ou près d'eux.
4. Utilisez l'outil uniquement de la façon décrite dans ce manuel. Utilisez uniquement les accessoires recommandés par le fabricant.
5. Ne l'utilisez pas avec une batterie endommagée. Si l'appareil ne fonctionne pas bien, s'il a été échappé, endommagé, laissé à l'extérieur ou échappé dans l'eau, retournez-le à un centre de service après-vente.
6. Ne manipulez pas l'appareil avec les mains mouillées.
7. Ne mettez rien dans les ouvertures. N'utilisez jamais l'outil si une des ouvertures est bouchée ; gardez ces dernières exemptes de poussières, charpies, cheveux ou tout objet pouvant réduire la circulation de l'air.
8. Gardez les cheveux, les vêtements amples, les doigts et toute autre partie du corps à l'écart des ouvertures et des pièces en mouvement.

9. Mettez toutes les commandes hors tension avant de retirer la batterie.
10. Soyez tout particulièrement prudent lorsque vous nettoyez sur les marches d'un escalier.
11. Ne l'utilisez pas pour aspirer des liquides inflammables ou combustibles tels que l'essence, ou dans des zones où de tels liquides peuvent être présents.
12. Ne rechargez la batterie qu'avec le chargeur spécifié par le fabricant. Un chargeur adéquat pour un type donné de batterie peut entraîner un risque d'incendie lorsque utilisé avec un autre type de batterie.

CONSERVEZ CES INSTRUCTIONS.

Cet appareil est conçu pour un usage domestique.

Consignes de sécurité pour souffleur à poussière sans fil

Préparatifs

1. Ne portez ni vêtements amples ni bijoux susceptibles d'être entraînés dans l'entrée d'air. Gardez les cheveux longs à l'écart des entrées d'air.
2. Portez toujours des lunettes à coques de protection, une casquette et un masque lorsque vous utilisez le souffleur à poussière. Les lunettes ordinaires et les lunettes de soleil NE sont PAS des lunettes de sécurité.
3. Le port d'un masque facial est recommandé pour prévenir l'irritation causée par les poussières.

Fonctionnement général

1. Éteignez le souffleur à poussière, retirez la batterie et assurez-vous de l'arrêt complet de toutes les pièces mobiles
 - chaque fois que vous vous éloignez du souffleur à poussière.
 - quand vous passez d'une opération de gonflage à une opération de dégonflage, et vice-versa.
 - avant d'inspecter le souffleur à poussière, de le nettoyer ou de travailler dessus.
 - si le souffleur à poussière se met à vibrer de manière anormale.
2. N'utilisez le souffleur à poussière qu'à la lumière du jour ou avec une bonne lumière artificielle.
3. Ne tendez pas trop les bras et maintenez en tout temps une bonne prise au sol et un bon équilibre.
4. Maintenez les entrées d'air de refroidissement exemptes de débris.

5. **Utilisez le souffleur à poussière avec la posture recommandée et sur une surface ferme.**
6. **N'utilisez pas l'outil avec les mains mouillées.**
7. **Ne pointez la sortie de la buse et du raccord vers personne, y compris vous-même.** Des objets risqueraient d'être soufflés et d'entraîner une blessure.
8. **N'utilisez pas l'outil pour vaporiser des produits chimiques.** Vos poumons peuvent être endommagés par l'inhalation de fumées toxiques.
9. **N'utilisez pas le souffleur à poussière dans des emplacements élevés.**
10. **Ne bloquez jamais l'entrée d'aspiration et/ou la sortie de souffleur.**
 - **Prenez garde de bloquer l'entrée d'aspiration ou la sortie de souffleur avec des poussières ou saletés lors de l'utilisation dans une zone poussiéreuse.**
 - **N'utilisez pas d'autres buses que celles fournies par Makita.**
11. **Si le souffleur à poussière heurte un corps étranger ou commence à émettre des bruits ou vibrations inhabituels, éteignez-le immédiatement pour l'arrêter.** Retirez la batterie du souffleur à poussière et inspectez-le pour vérifier l'absence de dommages avant de le redémarrer et de l'utiliser. Si le souffleur à poussière est endommagé, demandez à votre centre de service après-vente Makita agréé de le réparer.
12. **N'insérez ni les doigts ni aucun objet dans l'entrée d'aspiration ou dans la sortie de souffleur.**
13. **Prévenez le démarrage accidentel. Assurez-vous que l'interrupteur est en position d'arrêt avant d'insérer la batterie et avant de saisir ou de transporter le souffleur à poussière.** Transporter le souffleur à poussière avec le doigt sur l'interrupteur ou le mettre sous tension alors que son interrupteur est en position de marche ouvre la porte aux accidents.
14. **Évitez d'utiliser le souffleur à poussière pendant une période prolongée dans un environnement à basse température.**
15. **N'utilisez pas l'outil au-delà de sa pression de sortie maximale.** Utiliser l'outil à une pression de sortie supérieure à sa pression de sortie maximale peut faire éclater l'objet ou l'outil.
2. **Libérez la pression d'air lentement. Lors du retrait d'une buse ou d'un raccord après avoir gonflé des objets, tenez fermement l'objet, la buse et le raccord.** L'air évacué peut causer un bond et entraîner une blessure.
3. **Ne gonflez pas l'objet au-delà de la pression maximale de l'objet.** Autrement, vous risquez d'endommager l'outil ou l'objet et de vous blesser.
4. **Ne gonflez que les objets conçus par le fabricant pour être gonflés, tels que les jouets de plage ou les matelas gonflables.** Gonfler d'autres objets peut les endommager et entraîner une blessure.
5. **Lors du gonflage des objets, vérifiez l'état de l'outil et de l'objet, et assurez-vous qu'il n'y a pas de fuite d'air au niveau de l'objet.**
6. **Prenez toujours soin de ne pas gonfler de façon excessive les objets pendant l'opération.** Dans le cas contraire, les objets pourraient éclater et causer des dommages à l'outil ou des blessures.
7. **Après avoir gonflé les objets, vérifiez la pression d'air à l'aide d'un instrument de mesure fiable et bien calibré.**
8. **Ne laissez jamais l'outil sans surveillance pendant que la buse ou le raccord est fixé à l'objet ou pendant que l'outil est en marche.**
9. **N'utilisez pas l'outil comme un aspirateur.** L'outil pourrait être endommagé si vous l'utilisez pour ramasser de la poussière.
10. **N'utilisez pas l'outil comme appareil respiratoire.**
11. **N'utilisez que les accessoires standard fournis par Makita.** L'utilisation de tout autre accessoire ou pièce complémentaire peut comporter un risque de blessure.

Entretien et remisage

1. **Assurez-vous que tous les écrous, boulons et vis sont bien serrés pour garantir un fonctionnement sécuritaire du souffleur à poussière.**
2. **Si des pièces sont usées ou endommagées, remplacez-les avec des pièces fournies par Makita.**
3. **Remisez le souffleur à poussière dans un endroit sec, hors de la portée des enfants.**
4. **Lorsque vous arrêtez le souffleur à poussière pour inspection, réparation, remisage ou changement d'accessoire, éteignez-le et assurez-vous que toutes les pièces mobiles s'arrêtent complètement, et retirez la batterie.** Laissez refroidir le souffleur à poussière avant d'effectuer tout travail dessus. Entretenez soigneusement le souffleur à poussière et gardez-le propre.
5. **Lorsque vous transportez l'outil, ne le faites pas en tenant une buse ou un raccord ou en tirant dessus.** Vous risqueriez d'endommager l'outil et de vous blesser.
6. **Laissez toujours le souffleur à poussière se refroidir avant de le ranger.**
7. **Ne démontez pas l'outil.**

Réparation

1. **Faites réparer votre outil électrique par un réparateur qualifié qui utilise des pièces de rechange identiques aux pièces d'origine.** Le maintien de la sûreté de l'outil électrique sera ainsi assuré.

Opération de soufflage

1. **Ne soufflez jamais les débris vers les personnes présentes.**
2. **Pendant l'utilisation du souffleur à poussière, ne pointez jamais la buse vers une personne se trouvant à proximité.**
3. **Ne soufflez jamais des matériaux dangereux, tels que des clous, des fragments de verre ou des lames.**
4. **N'utilisez pas le souffleur à poussière près de matériaux inflammables.**

Opération de gonflage/dégonflage

1. **Lors du gonflage d'objets, posez une buse ou un raccord solidement sur l'entrée d'air.** Autrement, vous risquez d'endommager l'objet, la buse ou le raccord et de vous blesser.

2. **N'essayiez jamais de réparer les batteries endommagées.** La réparation des batteries ne doit être effectuée que par le fabricant ou par un fournisseur de service après-vente agréé.



CONSERVEZ CES INSTRUCTIONS.

⚠ MISE EN GARDE : NE vous laissez PAS tromper (au fil d'une utilisation répétée) par un sentiment d'aisance ou de familiarité avec le produit en négligeant les consignes de sécurité qui accompagnent le produit.

UNE UTILISATION INCORRECTE ou le non-respect des règles de sécurité énoncées dans le présent manuel d'instructions peut provoquer des blessures graves.

Symboles

Les symboles utilisés pour l'outil sont indiqués ci-dessous.

	volts
	courant continu

Consignes de sécurité importantes pour la batterie

1. **Avant d'utiliser la batterie, lisez toutes les instructions et les mises en garde apposées sur (1) le chargeur de batterie, (2) la batterie et (3) le produit utilisant la batterie.**
2. **Ne démontez pas et ne modifiez pas la batterie.** Cela peut entraîner un incendie, une chaleur excessive ou une explosion.
3. **Cessez immédiatement l'utilisation si le temps de fonctionnement devient excessivement court.** Il y a risque de surchauffe, de brûlures, voire d'explosion.
4. **Si l'électrolyte pénètre dans vos yeux, rincez-les à l'eau claire et consultez immédiatement un médecin.** Il y a risque de perte de la vue.
5. **Ne court-circuitez pas la batterie :**
 - (1) **Ne touchez les bornes avec aucun matériau conducteur.**
 - (2) **Évitez de ranger la batterie dans un conteneur avec d'autres objets métalliques tels que clous, pièces de monnaie, etc.**
 - (3) **Évitez d'exposer la batterie à l'eau ou à la pluie.**

Un court-circuit de la batterie pourrait provoquer un fort courant, une surchauffe, parfois des brûlures et même une panne.

6. **Ne rangez pas et n'utilisez pas l'outil ou la batterie dans des emplacements où la température peut atteindre ou dépasser 50 °C (122 °F).**

7. **Ne jetez pas la batterie au feu même si elle est sérieusement endommagée ou complètement épuisée. La batterie peut exploser au contact du feu.**
8. **Évitez de clouer, de couper, d'écraser, de lancer ou d'échapper la batterie, ou de heurter un objet dur contre la batterie.** Cela peut entraîner un incendie, une chaleur excessive ou une explosion.
9. **N'utilisez pas une batterie si elle est endommagée.**
10. **Les batteries lithium-ion fournies sont soumises aux exigences de la législation sur les marchandises dangereuses.**

Des exigences particulières sur l'emballage et l'étiquetage doivent être respectées lors du transport commercial par des tiers, des transitaires, etc. Pour préparer la marchandise à expédier, consultez un expert en matériaux dangereux si nécessaire. Respectez aussi les éventuelles réglementations nationales plus détaillées.

Recouvrez de ruban isolant les contacts exposés, et emballez la batterie de sorte qu'elle ne puisse pas se déplacer à l'intérieur de l'emballage.
11. **Lors de l'élimination de la batterie, retirez-la de l'outil et éliminez-la dans un endroit sûr. Respectez la réglementation locale concernant l'élimination de la batterie.**
12. **N'utilisez les batteries qu'avec les produits spécifiés par Makita.** Installer les batteries sur des produits non conformes peut entraîner un incendie, une chaleur excessive, une explosion ou une fuite d'électrolyte.
13. **Si l'outil reste inutilisé pour une période prolongée, la batterie doit en être retirée.**
14. **Pendant et après l'utilisation, la batterie peut accumuler de la chaleur, ce qui peut causer des brûlures ou des brûlures à basse température. Faites attention lors de la manipulation des batteries chaudes.**
15. **Ne touchez pas la borne de l'outil immédiatement après l'utilisation, car elle peut être assez chaude pour causer des brûlures.**
16. **Ne laissez pas les copeaux, les poussières ou la terre se coincer dans les bornes, les trous et les rainures de la batterie.** Cela pourrait causer un réchauffement, un incendie, un éclatement et une défaillance de l'outil ou de la batterie et entraîner des brûlures ou des blessures corporelles.
17. **À moins que l'outil ne soit compatible avec l'utilisation à proximité des lignes électriques haute tension, n'utilisez pas la batterie à proximité d'une ligne électrique haute tension.** Cela peut entraîner un dysfonctionnement ou une panne de l'outil ou de la batterie.
18. **Gardez la batterie à l'écart des enfants.**

CONSERVEZ CES INSTRUCTIONS.

⚠ ATTENTION : Utilisez exclusivement les batteries fabriquées par Makita. Les batteries autres que celles fabriquées par Makita ou les batteries modifiées peuvent exploser et causer un incendie, une blessure ou des dommages. Cela annule aussi la garantie Makita de l'outil et du chargeur Makita.

Conseils pour maintenir la durée de service maximale de la batterie

1. Rechargez la batterie avant qu'elle ne soit complètement déchargée. Arrêtez toujours l'outil et rechargez la batterie quand vous remarquez que la puissance de l'outil diminue.
2. Ne rechargez jamais une batterie complètement chargée. La surcharge réduit la durée de service de la batterie.
3. Chargez la batterie à une température ambiante comprise entre 10 °C et 40 °C (50 °F et 104 °F). Si la batterie est chaude, laissez-la refroidir avant de la charger.
4. Lorsque vous n'utilisez pas la batterie, retirez-la de l'outil ou du chargeur.
5. Chargez la batterie si elle est restée inutilisée pendant une période prolongée (plus de six mois).

ASSEMBLAGE

ATTENTION : Assurez-vous toujours que l'outil est éteint et que sa batterie est retirée avant d'effectuer tout travail dessus.

Installation d'une buse

Alignez les saillies de guidage d'une buse avec les encoches de verrouillage sur le manchon de verrouillage de l'outil, puis poussez fermement la buse dans le manchon de verrouillage jusqu'à ce qu'elle se verrouille en place en émettant un clic. Après avoir installé la buse, tentez de la tirer pour vous assurer qu'elle est solidement fixée en place.

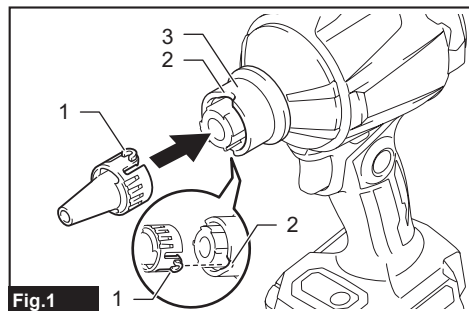


Fig.1
► 1. Saillies de guidage 2. Encoches de verrouillage
3. Manchon de verrouillage

AVIS : Assurez-vous que la buse a été correctement fixée à l'outil de manière à ce que les saillies de guidage sur la buse s'ajustent à la perfection dans les encoches de verrouillage sur le manchon de verrouillage.

Retrait de la buse

Tenez l'extrémité de la buse et faites-la tourner dans la direction indiquée par les flèches sur l'extrémité de la buse pour déverrouiller le verrou. Retirez la buse du manchon de verrouillage une fois déverrouillée.

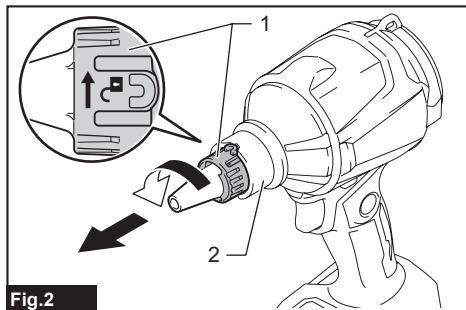


Fig.2
► 1. Extrémité de la buse 2. Manchon de verrouillage

AVIS : Il est possible que la saleté et la poussière collées sur la surface rendent l'enlèvement de la buse de l'outil difficile. Dans ce cas, faites d'abord glisser et tenez le manchon de verrouillage vers le boîtier du moteur, puis tournez l'extrémité de la buse pour déverrouiller le verrou.

ATTENTION : Lorsque vous retirez la buse, prenez soin de ne pas pincer vos mains entre l'extrémité arrière du manchon de verrouillage et le boîtier de moteur. Le manchon de verrouillage glisse vers le boîtier de moteur lorsque la buse est déverrouillée du verrou.

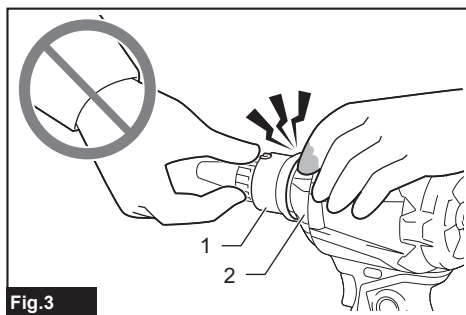


Fig.3
► 1. Manchon de verrouillage 2. Boîtier du moteur

Retrait et pose du capuchon antipoussière

1. Tournez dans le sens contraire des aiguilles d'une montre le capuchon antipoussière sur l'entrée d'aspiration à l'arrière du boîtier pour retirer le capuchon antipoussière du boîtier. Il est possible de désengager les deux languettes de verrouillage sur le capuchon antipoussière en les alignant avec les rainures de guidage du boîtier.

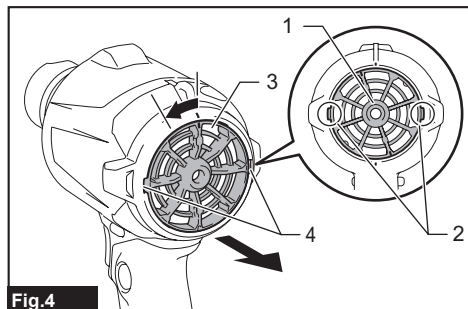


Fig.4

► 1. Capuchon antipoussière 2. Languettes de verrouillage 3. Entrée d'aspiration 4. Rainures de guidage

2. Ré-assemblez le capuchon antipoussière sur l'entrée d'aspiration en alignant les deux languettes de verrouillage du capuchon antipoussière avec les rainures de guidage du boîtier. Puis, tournez le capuchon antipoussière dans le sens des aiguilles d'une montre pour le fixer en place.

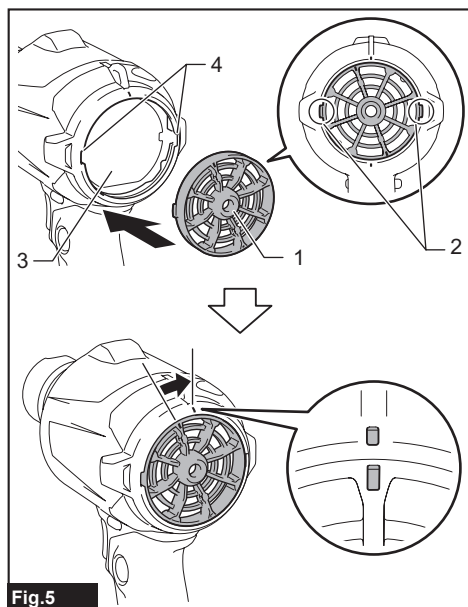


Fig.5

► 1. Capuchon antipoussière 2. Languettes de verrouillage 3. Entrée d'aspiration 4. Rainures de guidage

Pose et retrait des buses longues

Accessoire en option

Un ensemble de buses longues aide à nettoyer la poussière des petits trous et des endroits étroits. Vous pouvez modifier la longueur de la buse selon vos besoins.

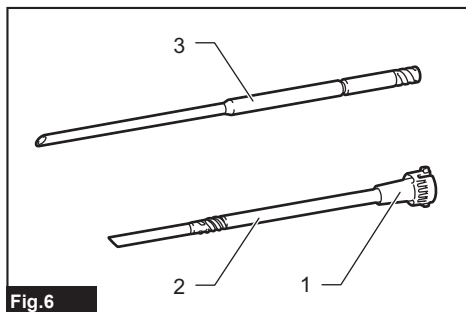


Fig.6

► 1. Buse 13 2. Buse longue R 3. Buse longue F

1. Insérez la buse longue R à travers le trou d'air de la buse 13, de l'arrière vers l'avant. Insérez-la à travers jusqu'à ce que la buse 13 se fixe en place à l'extrémité arrière de la buse longue R.

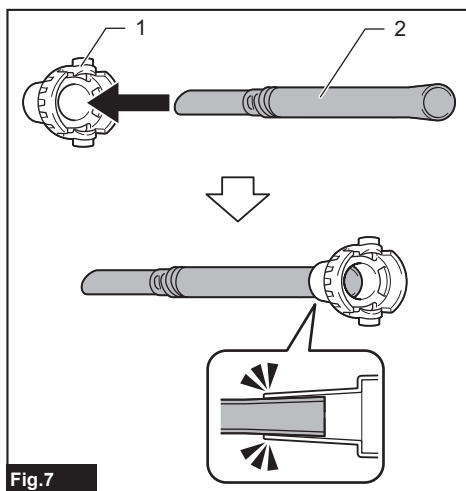


Fig.7

► 1. Buse 13 2. Buse longue R

2. Placez la buse longue F sur l'extrémité avant de la buse longue R. Vissez à la main la buse longue F jusqu'à ce que vous sentiez qu'elle est assez bien serrée, puis serrez encore jusqu'à ce qu'elle soit bien fixée.

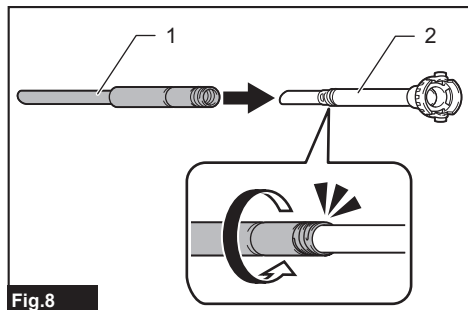


Fig.8

► 1. Buse longue F 2. Buse longue R

3. Alignez les saillies de guidage de la buse 13 avec les encoches de verrouillage sur le manchon de verrouillage de l'outil, puis poussez fermement la buse 13 dans le manchon de verrouillage jusqu'à ce qu'elle se verrouille en place en émettant un clic.

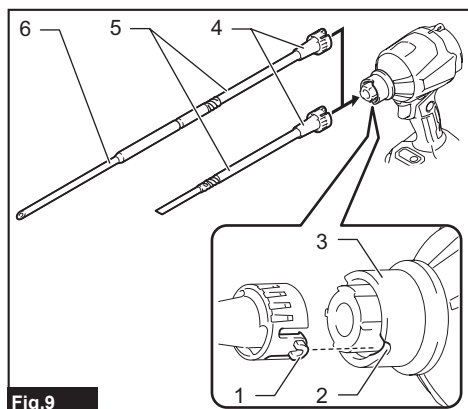


Fig.9

► 1. Saillie de guidage 2. Encoche de verrouillage
3. Manchon de verrouillage 4. Buse 13 5. Buse longue R 6. Buse longue F

NOTE : Utilisez la buse longue R uniquement pour avoir une portée de fonctionnement plus courte. Utilisez les buses longues R et F pour disposer d'une portée de fonctionnement plus longue.

4. Pour retirer les buses longues, détachez la buse 13 du manchon de verrouillage de l'outil, puis désassemblez les buses longues.

Pose et retrait des buses et des raccords de dégonflage

Accessoire en option

AVIS : Assurez-vous toujours d'installer et de désinstaller les buses et raccords de dégonflage uniquement lorsque le tuyau des orifices d'air complet est débranché de l'outil. Manipuler le tuyau des orifices d'air complet assemblé dans l'outil pourrait rendre l'outil instable et le faire tomber.

1. Alignez les saillies de guidage sur la buse de valve à pincement avec les encoches de verrouillage sur le manchon de verrouillage du tuyau des orifices d'air complet, puis poussez fermement la buse pour valve à pincement dans le manchon de verrouillage jusqu'à ce qu'elle se verrouille en place en émettant un clic.

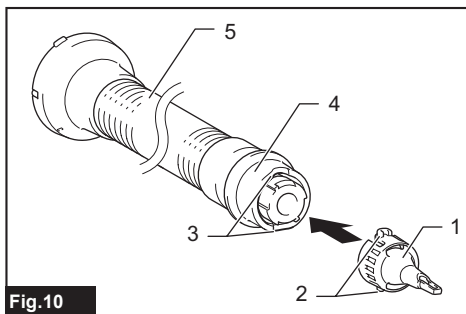


Fig.10

► 1. Buse pour valve à pincement 2. Saillies de guidage 3. Encoches de verrouillage 4. Manchon de verrouillage 5. Tuyau des orifices d'air complet

Raccords en caoutchouc offerts en option

Les raccords en caoutchouc offerts en option doivent être placés par-dessus la buse. Prenez soin de ne pas fixer des raccords en caoutchouc directement sur le tuyau des orifices d'air complet.

i Alignez les saillies de guidage sur la buse 13 avec les encoches de verrouillage sur le manchon de verrouillage du tuyau des orifices d'air complet, puis poussez fermement la buse dans le manchon de verrouillage jusqu'à ce qu'elle se verrouille en place en émettant un clic.

ii Placez un raccord en caoutchouc sur la tête de buse en poussant et en le vissant en place.

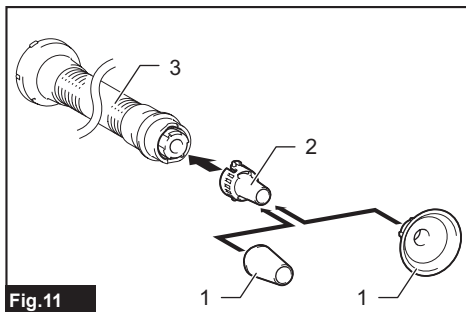


Fig.11

► 1. Raccords en caoutchouc 2. Buse 13 3. Tuyau des orifices d'air complet

AVIS : Assurez-vous que la buse a été correctement fixée au tuyau des orifices d'air complet de manière à ce que les saillies de guidage sur la buse s'ajustent à la perfection dans les encoches de verrouillage sur le manchon de verrouillage.

2. Tournez dans le sens contraire des aiguilles d'une montre le capuchon antipoussière sur l'entrée d'aspiration à l'arrière du boîtier pour retirer le capuchon antipoussière du boîtier. Il est possible de désengager les deux languettes de verrouillage sur le capuchon antipoussière en les alignant avec les rainures de guidage du boîtier.

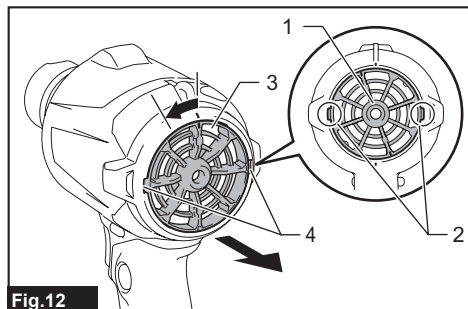


Fig.12

► 1. Capuchon antipoussière 2. Languettes de verrouillage 3. Entrée d'aspiration 4. Rainures de guidage

3. Fixez l'extrémité du tuyau des orifices d'air complet à l'entrée d'aspiration en alignant les deux languettes de verrouillage du tuyau des orifices d'air complet avec les rainures de guidage du boîtier. Puis, tenez et tournez les manchons arrière du tuyau des orifices d'air complet dans le sens des aiguilles d'une montre pour les fixer en place.

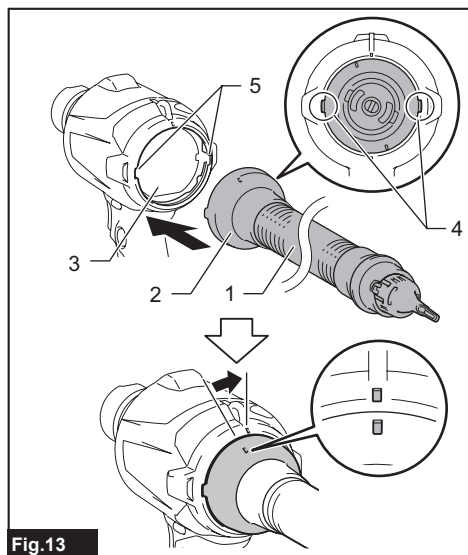


Fig.13

► 1. Tuyau des orifices d'air complet 2. Manchons arrière 3. Entrée d'aspiration 4. Languettes de verrouillage 5. Rainures de guidage

4. Pour retirer la buse de dégonflage et les raccords, suivez les étapes d'installation dans l'ordre inverse.

AVIS : Tenez et tournez toujours les manchons arrière du tuyau des orifices d'air complet pour installer et désinstaller le tuyau des orifices d'air complet en place.

Pose du filtre offert en option

Accessoire en option

Un filtre haute performance offert en option (filtre C) est disponible pour restreindre l'entrée de poussière dans le moteur dans des conditions de travail poussiéreuses.

1. Tournez dans le sens contraire des aiguilles d'une montre le capuchon antipoussière sur l'entrée d'aspiration à l'arrière du boîtier pour retirer le capuchon antipoussière du boîtier. Il est possible de désengager les deux languettes de verrouillage sur le capuchon antipoussière en les alignant avec les rainures de guidage du boîtier.

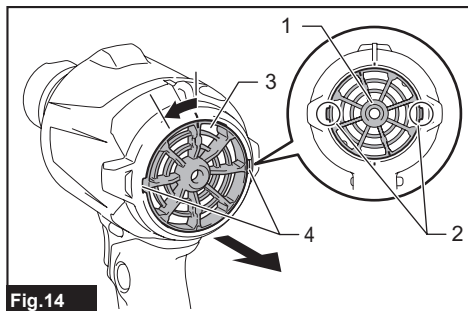


Fig.14

► 1. Capuchon antipoussière 2. Languettes de verrouillage 3. Entrée d'aspiration 4. Rainures de guidage

2. Remplacez le filtre haute performance offert en option sur l'entrée d'aspiration en alignant les deux languettes de verrouillage sur le filtre offert en option avec les rainures de guidage sur le boîtier. Puis, tournez le filtre offert en option dans le sens des aiguilles d'une montre pour le fixer en place.

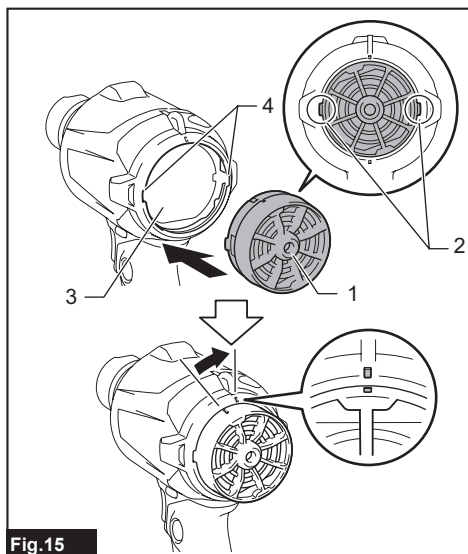


Fig.15

► 1. Filtre haute performance offert en option 2. Languettes de verrouillage 3. Entrée d'aspiration 4. Rainures de guidage

AVIS : Un filtre haute performance offert en option (filtre C) peut être réutilisé plusieurs fois en le nettoyant. Nettoyez régulièrement la poussière du filtre, car un filtre bouché peut bloquer le débit d'air et entraîner un fonctionnement moins efficace. Lavez occasionnellement le filtre dans l'eau, puis rincez-le et laissez-le sécher complètement, à l'ombre, avant de l'utiliser.

AVIS : N'essuyez, ne frottez et n'érafflez pas fortement un filtre haute performance offert en option (filtre C). Assurez-vous de secouer avec soin la poussière du filtre ou de la souffler.

DESCRIPTION DU FONCTIONNEMENT

ATTENTION : Assurez-vous toujours que l'outil est éteint et que sa batterie est retirée avant de l'ajuster ou de vérifier son fonctionnement.

Installation ou retrait de la batterie

ATTENTION : Éteignez toujours l'outil avant d'installer ou de retirer la batterie.

ATTENTION : Tenez fermement l'outil et la batterie lors de l'installation ou du retrait de cette dernière. Si l'outil et la batterie ne sont pas tenus fermement, ils risquent de vous glisser des mains et de subir des dommages, ou encore de vous blesser.

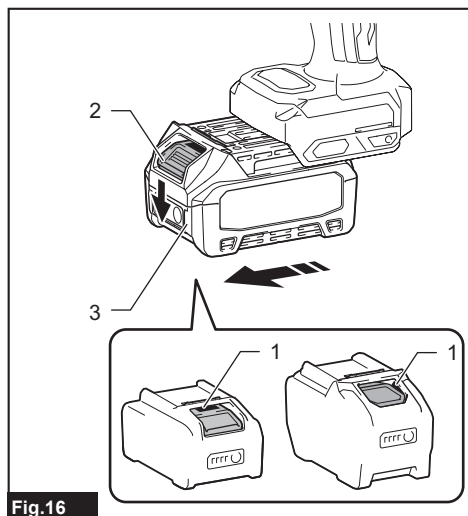


Fig.16

► 1. Indicateur rouge 2. Bouton 3. Batterie

Pour retirer la batterie, faites-la glisser hors de l'outil tout en glissant le bouton qui se trouve à l'avant.

Pour installer la batterie, alignez sa languette sur la rainure pratiquée dans le boîtier et glissez la batterie en place. Insérez-la à fond jusqu'à ce que vous entendiez un léger dé clic. Si vous pouvez voir l'indicateur rouge tel qu'illustré sur la figure, cela signifie qu'elle n'est pas complètement verrouillée.

ATTENTION : Installez toujours la batterie à fond jusqu'à ce que vous ne puissiez plus voir l'indicateur rouge. Autrement elle risque de tomber accidentellement de l'outil et d'entraîner des blessures.

ATTENTION : Ne forcez pas sur la batterie pour l'installer. Si la batterie ne glisse pas facilement, c'est qu'elle n'est pas insérée correctement.

Affichage de la charge restante de la batterie

Appuyez sur le bouton de vérification de la batterie pour afficher la charge restante de la batterie. Les témoins indicateurs s'allument pendant quelques secondes.

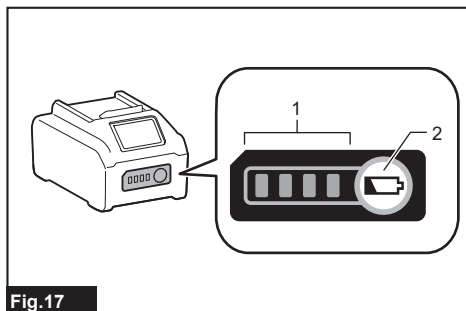


Fig.17

► 1. Témoins indicateurs 2. Bouton de vérification

Témoins indicateurs			Charge restante
Allumé	Éteint	Clignotant	
■ ■ ■ ■			75 % à 100 %
■ ■ ■ □			50 % à 75 %
■ ■ □ □			25 % à 50 %
■ □ □ □			0 % à 25 %
▬ □ □ □			Chargez la batterie.
■ ■ □ □			La batterie a peut-être mal fonctionné.
□ □ ■ ■	↑ ↓		

NOTE : Suivant les conditions d'utilisation et la température ambiante, il se peut que l'indication soit légèrement différente de la charge réelle.

NOTE : La première lampe témoin (à l'extrémité gauche) clignote lorsque le dispositif de protection de la batterie s'active.

Dispositif de protection de l'outil et de la batterie

L'outil est équipé d'un système de protection d'outil/batterie. Ce système coupe automatiquement l'alimentation du moteur pour augmenter la durée de vie de l'outil et de la batterie. L'outil s'arrête automatiquement pendant l'utilisation lorsque l'outil ou la batterie est dans l'une des situations suivantes :

Protection contre la surcharge

Lorsque l'outil ou la batterie est utilisé d'une façon qui lui fait consommer un courant anormalement élevé, l'outil s'arrête automatiquement. Dans ce cas, éteignez l'outil et arrêtez l'application qui cause une surcharge de l'outil. Remettez ensuite le contact pour redémarrer.

Protection contre la surchauffe

Lorsque l'outil ou la batterie surchauffe, l'outil s'arrête automatiquement. Le cas échéant, laissez refroidir l'outil avant de le rallumer.

Protection contre la décharge excessive

Lorsque la charge de la batterie est insuffisante, l'outil s'arrête automatiquement et le témoin clignotera. Le cas échéant, retirez la batterie de l'outil et chargez-la.

Protections contre d'autres causes

Le dispositif de protection est aussi conçu pour d'autres causes qui pourraient endommager l'outil et permet d'arrêter automatiquement l'outil. Prenez toutes les mesures suivantes pour éliminer les causes lorsque le fonctionnement de l'outil a été interrompu temporairement ou arrêté.

1. Éteignez l'outil et remettez-le de nouveau en marche.
2. Chargez la/les batterie(s) ou remplacez-la/les par une/des batteries rechargée(s).
3. Laissez l'outil et la/les batteries se refroidir.

Si la situation ne s'améliore pas en restaurant le système de protection, contactez votre centre de service Makita local.

Interrupteur

⚠ ATTENTION : Avant d'insérer la batterie dans l'outil, vérifiez toujours que la gâchette fonctionne bien et revient en position d'arrêt lorsque libérée.

⚠ ATTENTION : Il est possible de verrouiller l'interrupteur en position de marche pour un plus grand confort de l'utilisateur lors d'une utilisation prolongée. Faites preuve de prudence lorsque vous verrouillez l'outil en position de marche.

⚠ ATTENTION : N'installez pas la batterie avec le bouton de verrouillage engagé.

⚠ ATTENTION : Lorsque vous n'utilisez pas l'outil, enfoncez le bouton de verrouillage de la gâchette du côté duquel une marque de verrouillage (🔒) est indiquée pour verrouiller la gâchette en position d'arrêt.

Bouton de verrouillage de la gâchette

Pour éviter l'activation accidentelle de la gâchette, l'outil est doté d'un bouton de verrouillage de la gâchette. Pour démarrer l'outil, enfoncez le bouton de verrouillage de la gâchette du côté duquel une marque de déverrouillage (🔓) est indiquée. Pour verrouiller l'outil, enfoncez le bouton de verrouillage de la gâchette du côté duquel une marque de verrouillage (🔒) est indiquée.

Assurez-vous de remettre un bouton de verrouillage de la gâchette dans une position de verrouillage après chaque utilisation.

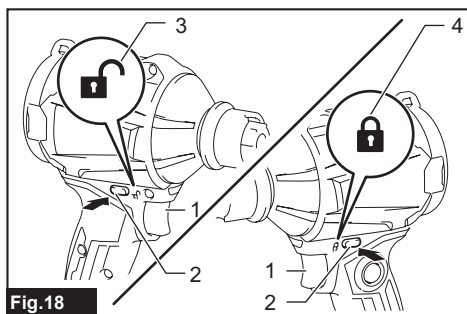


Fig. 18

- ▶ 1. Gâchette 2. Bouton de verrouillage de la gâchette 3. Marque de déverrouillage 4. Marque de verrouillage

AVIS : N'appuyez pas fortement sur la gâchette sans libérer le bouton de verrouillage de la gâchette. Vous risqueriez de casser la gâchette.

Gâchette

Il est possible de contrôler le volume d'air en appuyant sur la gâchette. Le volume d'air augmente à mesure que l'on augmente la pression sur la gâchette. Pour arrêter, libérez la gâchette.

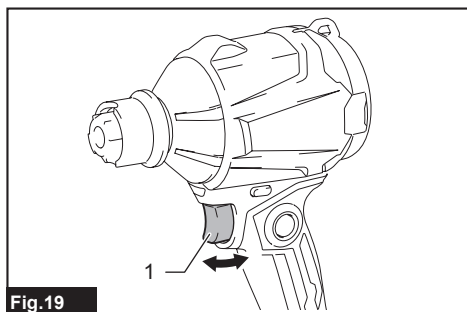


Fig. 19

- ▶ 1. Gâchette

Bouton de sécurité

Pour obtenir un fonctionnement continu, enfoncez le bouton de sécurité tout en appuyant sur la gâchette, puis libérez la gâchette. Pour annuler l'opération de verrouillage, enfoncez complètement la gâchette puis relâchez-la.

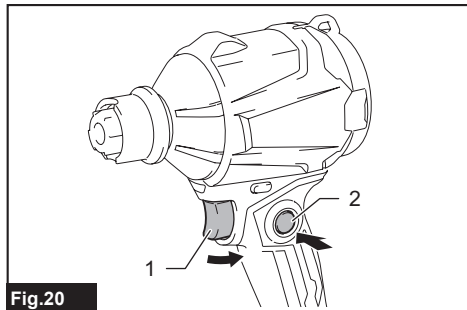


Fig.20

► 1. Gâchette 2. Bouton de sécurité

Réglage du volume d'air

Le volume d'air peut être modifié selon quatre modes, c'est-à-dire 4 (max), 3 (élevé), 2 (moyen) et 1 (bas), selon l'application et la charge de travail.

Appuyez sur le bouton de réglage du volume d'air pour changer de mode dans l'ordre suivant. Le mode change à chaque pression sur le bouton.

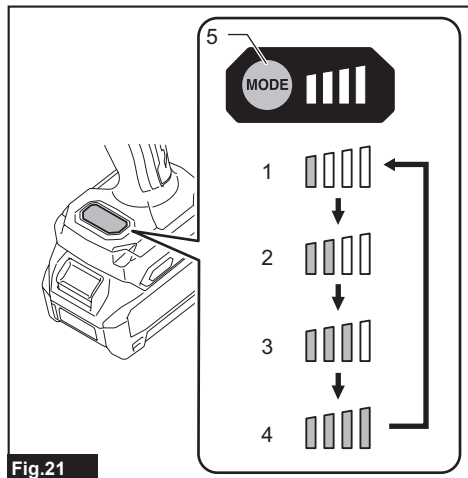


Fig.21

► 1. Volume d'air bas 2. Volume d'air moyen
3. Volume d'air élevé 4. Volume d'air max 5. Bouton de réglage du volume d'air

Tableau des réglages du volume d'air

Mode de volume d'air	Volume d'air maximum
4 : Max.	1,1 m ³ /min (39 cu.ft/min)
3 : Élevé	1,0 m ³ /min (35 cu.ft/min)
2 : Moyen	0,8 m ³ /min (28 cu.ft/min)
1 : Bas	0,6 m ³ /min (21 cu.ft/min)

* Les volumes maximums d'air sont mesurés sans buse.

NOTE : Il est possible de changer le mode de volume d'air avant de mettre l'outil en marche.

NOTE : L'outil commence à fonctionner avec les derniers réglages du mode de volume d'air utilisés.

Allumer la lampe

ATTENTION : Évitez de regarder directement le faisceau lumineux ou sa source.

Pour allumer la lampe, effectuez l'une des étapes suivantes.

- Appuyez sur la gâchette pour allumer la lampe. La lampe reste allumée tant que la gâchette est maintenue enfoncée. La lampe s'éteint environ 10 secondes après l'arrêt du fonctionnement.
- Appuyez sur le bouton de réglage du volume d'air. La lampe s'éteint en environ 10 secondes.

NOTE : Lorsque la charge restante de la batterie devient basse, la lampe se met à clignoter. Le moment où la lampe se met à clignoter dépend de la température du lieu de travail et de l'état de la batterie.

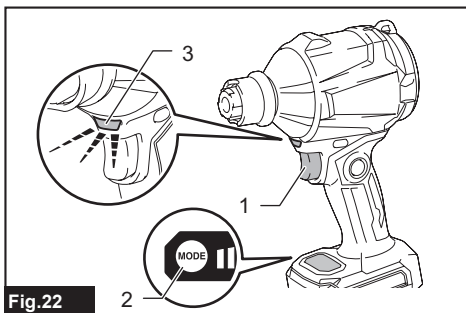


Fig.22

► 1. Gâchette 2. Bouton de réglage du volume d'air
3. Lampe

Trou de suspension

ATTENTION : Avant de suspendre l'outil, assurez-vous toujours que le trou de suspension n'est pas endommagé.

ATTENTION : N'utilisez les pièces de suspension/montage qu'aux fins pour lesquelles elles sont prévues. L'utilisation à toute fin non prévue peut entraîner un accident ou une blessure.

ATTENTION : La résistance de charge nominale pour vos râteliers et supports à outils doit être apprise au préalable. Ne placez pas l'outil s'il dépasse la résistance de charge des râteliers et supports.

ATTENTION : Assurez-vous que le trou de suspension est solidement accroché avant de relâcher votre prise.

Utilisez le trou de suspension sur la partie supérieure arrière du boîtier pour suspendre l'outil sur un crochet des râteliers et supports.

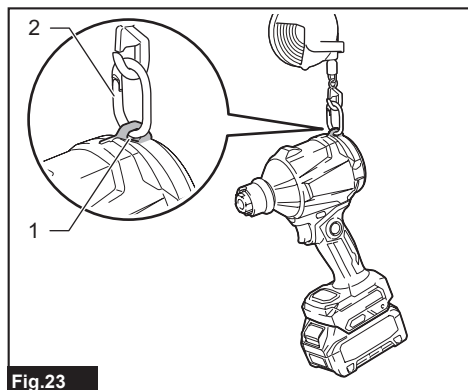


Fig.23

► 1. Trou de suspension 2. Crochet

Installation du crochet

Accessoire en option

⚠ MISE EN GARDE : Utilisez les pièces de suspension/montage aux fins pour lesquelles elles sont destinées uniquement, p. ex., suspendre l'outil sur une ceinture à outils entre deux tâches ou intervalles de travail.

⚠ MISE EN GARDE : Prenez soin de ne pas surcharger le crochet, car une force excessive ou une surcharge irrégulière pourrait causer des dommages à l'outil, entraînant des blessures corporelles.

⚠ ATTENTION : Lorsque vous installez le crochet, fixez-le toujours fermement avec la vis. Autrement, le crochet risque de se détacher de l'outil et de causer une blessure.

⚠ ATTENTION : Assurez-vous de suspendre solidement l'outil avant de relâcher votre prise. Un soutien insuffisant ou mal équilibré pourrait causer une chute et vous blesser.

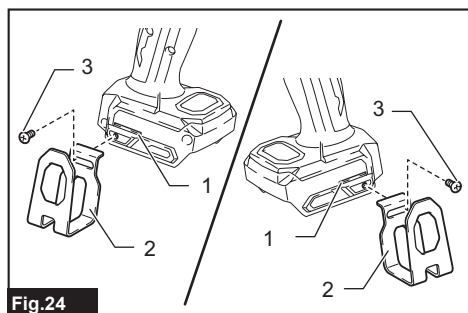


Fig.24

► 1. Rainure 2. Crochet 3. Vis

L'outil est équipé d'un crochet pratique qui permet de le suspendre temporairement. Il s'installe d'un côté comme de l'autre de l'outil. Pour installer le crochet, insérez-le dans l'une ou l'autre des rainures situées de chaque côté du boîtier de l'outil, puis serrez-le avec une vis. Pour le retirer, desserrez la vis et enlevez-la.

UTILISATION

⚠ ATTENTION : Ne pointez pas la buse vers quiconque à proximité pendant le fonctionnement.

AVIS : Ne bloquez pas l'entrée d'aspiration et/ou la sortie de souffleur pendant le fonctionnement.

Soufflage dans le cadre d'une utilisation générale

Buses recommandées

— Buse 13

Nettoyez vos surfaces de travail et planchers en soufflant la poussière, la saleté, les débris ou les déchets en général.

Dirigez la buse vers les surfaces à une distance appropriée et décrivez un mouvement de balancier pour tout souffler.

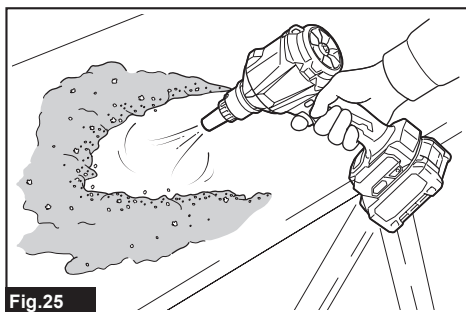


Fig.25

⚠ ATTENTION : Ne soufflez jamais les débris vers les personnes ou animaux de compagnie présents.

⚠ ATTENTION : Utilisez de l'équipement de protection individuelle, comme un masque anti-poussière et une protection pour les yeux.

AVIS : Retirez les obstructions sur les surfaces avant de procéder au soufflage.

Soufflage dans des espaces confinés

Buses recommandées

— Buse 3

Soufflez dans les endroits confinés, les coins et les espaces à côté de murs pour dépeussier.

Pointez la buse directement sur les espaces à une distance raisonnable et enfoncez la gâchette pour contrôler le volume d'air de soufflage.

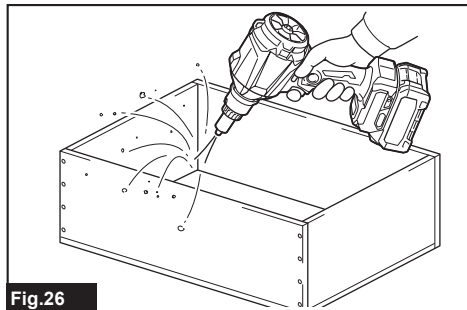


Fig.26

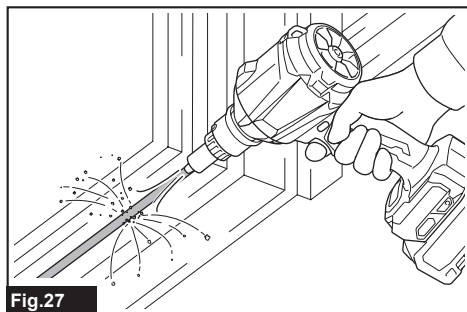


Fig.27

⚠ ATTENTION : Maintenez la buse à une distance raisonnable des endroits à souffler pour éviter de faire voler la poussière dans les airs.

⚠ ATTENTION : Utilisez de l'équipement de protection individuelle, comme un masque anti-poussières et une protection pour les yeux.

AVIS : Évitez de bloquer les trous des orifices d'aération autour des sorties du souffleur. Dans le cas contraire, cela pourrait provoquer du bruit et des vibrations soudains, et possiblement affecter la performance de l'outil.

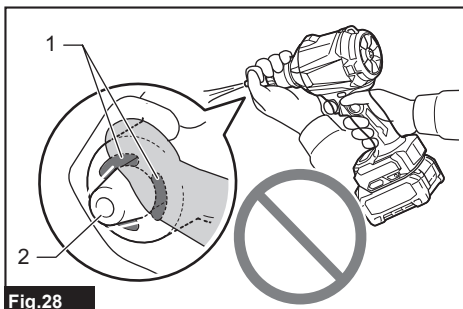


Fig.28

► 1. Trous des orifices d'aération 2. Sortie de souffleur

Dépeussierage d'un filtre à air

Buses recommandées

— Buse 7

Dépeussiez les surfaces du filtre en soufflant de l'air par un côté du filtre vers l'autre.

Dirigez la buse sur les surfaces du filtre à une courte distance et décrivez un mouvement de basculement d'un côté à l'autre pour souffler la poussière à l'écart des surfaces.

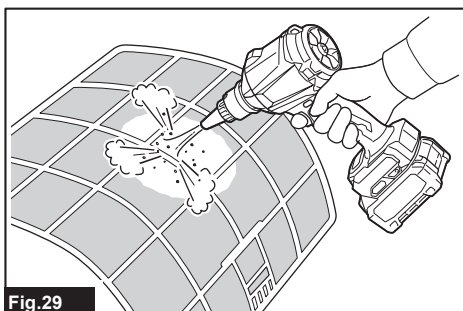


Fig.29

⚠ ATTENTION : Utilisez de l'équipement de protection individuelle, comme un masque anti-poussières et une protection pour les yeux.

NOTE : Pointez la buse en angle conformément aux contours du filtre de façon à pouvoir déloger la poussière collée facilement.

Soufflage d'un grand espace ouvert

Buses recommandées

— Buse de grande portée

Soufflez l'air sur la poussière et le liquide sur des surfaces grandes ouvertes, comme un bureau et un plancher en utilisant une buse à cinq trous avec une portée de soufflage de 120 degrés.

Dirigez la buse sur un espace vaste à une certaine distance et décrivez un mouvement de bascule vers l'avant et vers l'arrière et d'un côté à l'autre pour souffler largement.

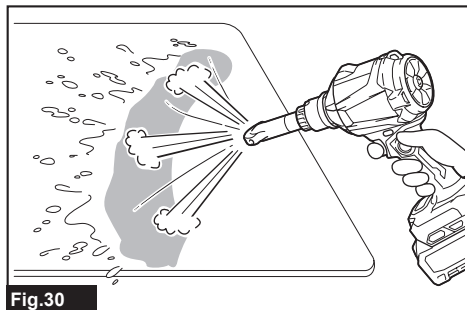


Fig.30

ATTENTION : Utilisez de l'équipement de protection individuelle, comme un masque anti-poussières et une protection pour les yeux.

Gonflages d'objets gonflables en plastique

Buses recommandées

— Buse pour valve à pincement

— Buse 13

Volume d'air gonflable avec une batterie pleinement chargée BL4025 sans la recharger

Mode de volume d'air	Volume d'air gonflable (Avec buse pour valve à pincement)	Nombre de ballons de plage en plastique de ø61 cm (ø24") équivalent en volume d'air (Avec buse pour valve à pincement)
4 : Max.	8,9 m ³ (314 cu.ft)	75
3 : Élevé	9,5 m ³ (335 cu.ft)	80
2 : Moyen	13,0 m ³ (459 cu.ft)	110
1 : Bas	21,3 m ³ (752 cu.ft)	180

NOTE : La pression d'air de sortie maximum de cet outil est 20,6 kPa (2,9 PSI).
(Avec buse 13)

Gonflez des jouets de plage, des oreillers et de petits objets gonflables en plastique similaires avec une buse pour valve à pincement.

Gonflez des piscines de jardin, des tapis pneumatiques et de grands objets gonflables en plastique similaires avec une buse 13.

Insérez la buse dans l'entrée d'air sur un objet gonflable et actionnez la gâchette pour commencer à gonfler. Relâchez lentement la gâchette pour réduire le volume d'air alors que l'objet gonflable est sur le point d'être complètement gonflé. Retirez la buse de l'entrée d'air après avoir interrompu le débit d'air, puis fermez l'entrée d'air.

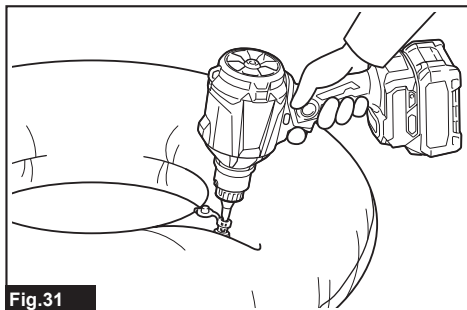


Fig.31

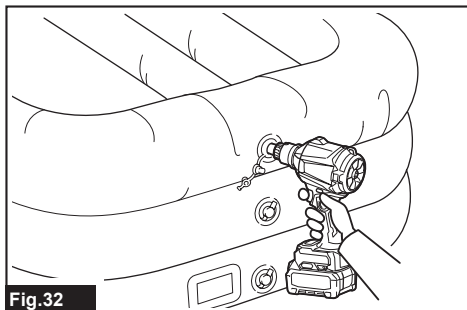


Fig.32

ATTENTION : Prenez toujours soin de ne pas gonfler de façon excessive les objets gonflables pendant l'opération. Dans le cas contraire, les objets gonflables pourraient éclater et causer des dommages à l'outil ou des blessures.

ATTENTION : Ne laissez jamais l'outil sans surveillance pendant que la buse est fixée aux objets gonflables, ou pendant que l'outil est en marche.

ATTENTION : Soyez conscient qu'un courant d'air chaud pourrait sortir du trou des orifices d'aération au niveau de l'étranglement de la buse pour valve à pincement en raison de la circulation d'air.

NOTE : Assurez-vous d'insérer la buse pour valve de pincement complètement dans l'entrée d'air de façon à ce que la tête de buse serve pour ouvrir la soupape à clapet à l'intérieur de l'entrée d'air.

NOTE : Pour un objet gonflable avec une petite ouverture d'entrée d'air, insérez le bout étroit de la buse pour valve à pincement dans l'entrée d'air jusqu'à ce que l'étranglement de la tête de buse touche le bord de l'entrée d'air.

NOTE : Pour un objet gonflable avec une grande ouverture d'entrée d'air, insérez la tête de buse pour valve à pincement complètement dans l'entrée d'air pour ouvrir la soupape à clapet à l'intérieur de l'entrée d'air.

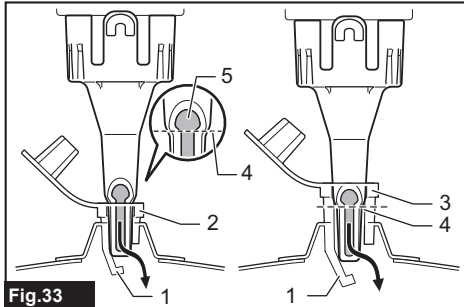


Fig.33

- 1. Soupape à clapet 2. Petite ouverture d'entrée d'air 3. Grande ouverture d'entrée d'air 4. Étranglement 5. Trou des orifices d'aération

NOTE : Si une entrée d'air sur un objet gonflable est relativement plus petite que la tête de buse pour valve à pincement, pressez et agrandissez l'entrée d'air à la main, puis tordez et tenez la tête de buse dans l'entrée d'air.

Soufflage dans des trous et des endroits étroits

Accessoire en option

Buses recommandées

- Ensemble de buses longues

Nettoyez la poussière des petits trous et des endroits étroits. Vous pouvez modifier la longueur de la buse selon vos besoins.

Assemblez les buses longues R et F ensemble pour permettre une portée de fonctionnement plus longue, par exemple, pour nettoyer des trous d'ancrage à vos pieds.

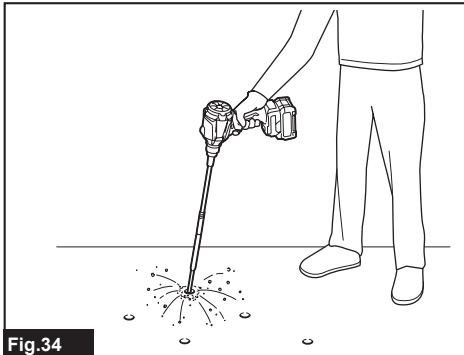


Fig.34

Utilisez la buse longue R uniquement pour avoir une portée de fonctionnement plus courte, par exemple, pour nettoyer des endroits précis sur le mur.

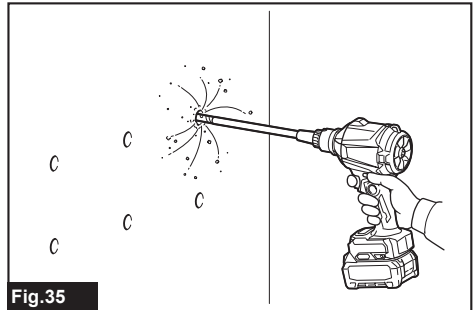


Fig.35

ATTENTION : Utilisez de l'équipement de protection individuelle, comme un masque anti-poussières et une protection pour les yeux.

Soufflage dans des espaces étroits

Accessoire en option

Buses recommandées

- Buse flexible 6

Soufflez la poussière hors de n'importe quel endroit difficile à atteindre. Hautement efficace pour le nettoyage des moteurs, le retrait de la poussière dans une voiture et le soufflage de la poussière dans un boîtier d'ordinateur.

Pointez la buse en angle à une distance de toucher et soufflez vers l'avant et l'arrière pour nettoyer la poussière persistante. Changez les angles de la buse alors que vous soufflez pour aider à souffler certains des débris et de la poussière les plus difficiles à déloger.

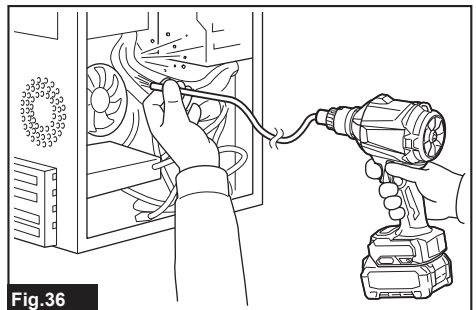


Fig.36

ATTENTION : Utilisez de l'équipement de protection individuelle, comme un masque anti-poussières et une protection pour les yeux.

AVIS : Évitez de bloquer les trous des orifices d'aération autour de l'extrémité du tuyau souple.

Dans le cas contraire, cela pourrait provoquer du bruit et des vibrations soudains, et possiblement affecter la performance de l'outil.

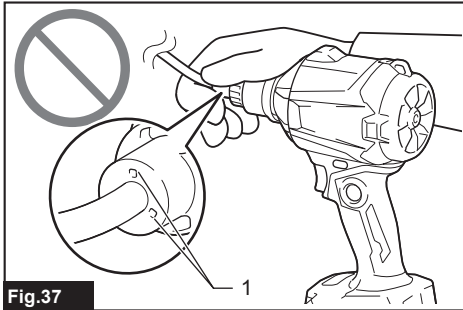


Fig.37

► 1. Trous des orifices d'aération

Dégonflage d'objets gonflables en plastique

Accessoire en option

AVIS : Évitez de dégonfler des objets gonflables dans des conditions humides ou poussiéreuses, car l'eau, la poussière et les substances externes similaires sur des surfaces pourraient atteindre le moteur et endommager l'outil. Séchez et nettoyez complètement les objets gonflables avant d'effectuer une opération de dégonflage.

AVIS : Ne laissez jamais l'outil sans surveillance lorsque vous dégonflez des objets gonflables. Faire fonctionner le moteur en continu après le dégonflage pourrait causer une surchauffe.

Buses et raccords recommandés

- Tuyau des orifices d'air complet
- Buse pour valve à pincement
- Raccord en caoutchouc 20 - 30
- Raccord en caoutchouc 65

Dégonflez les objets gonflables avec les buses adéquates conformément à vos préférences et applications.

1. Posez une buse ou un raccord en caoutchouc sur le tuyau des orifices d'aération complet.
2. Remettez le capuchon antipoussière sur l'entrée d'aspiration de l'outil avec le tuyau des orifices d'aération complet.
3. Insérez la buse dans la valve de gonflage ou posez le raccord sur la valve de gonflage sur les objets gonflables, puis actionnez la gâchette pour commencer le dégonflage.
4. Relâchez lentement la gâchette pour réduire le volume d'aspiration alors qu'un objet gonflable est presque dégonflé.

5. Retirez la buse ou le raccord de la valve de gonflage après avoir arrêté le débit d'air, puis fermez la valve de gonflage.

Avec buse pour valve à pincement

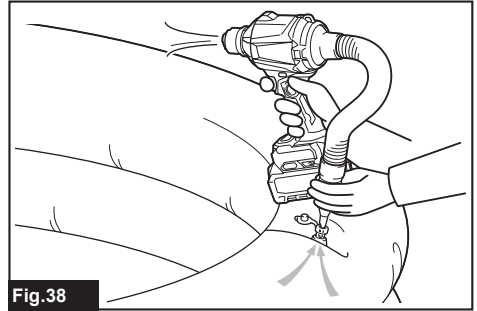


Fig.38

Avec raccord en caoutchouc 20 - 30

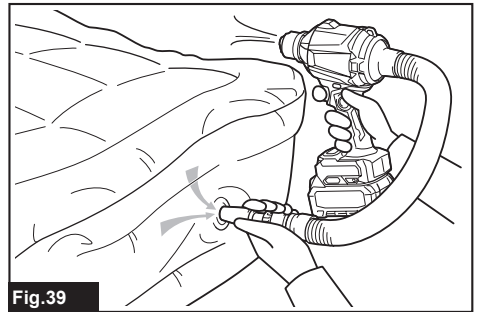


Fig.39

Avec raccord en caoutchouc 65

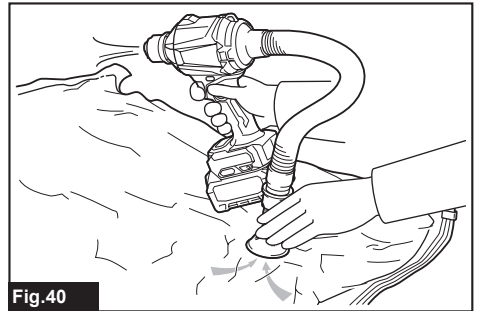


Fig.40

ENTRETIEN

⚠ ATTENTION : Assurez-vous toujours que l'outil est hors tension et que la batterie est retirée avant d'y effectuer tout travail d'inspection ou d'entretien.

Pour maintenir la SÉCURITÉ et la FIABILITÉ du produit, les réparations et tout autre travail d'entretien ou de réglage doivent être effectués dans un centre de service après-vente autorisé ou une usine Makita, exclusivement avec des pièces de rechange Makita.

AVIS : N'utilisez jamais d'essence, de benzine, de solvant, d'alcool ou autres produits similaires. Une décoloration, une déformation ou la formation de fissures peuvent en découler.

Nettoyage

Nettoyage du corps

Nettoyez le corps de votre outil avec un chiffon sec ou un linge imbibé d'eau savonneuse à intervalles réguliers.

Nettoyage des buses

Retirez les obstructions ou la poussière qui bloque les ouvertures des buses avant et après chaque utilisation.

Retrait et pose du filtre

⚠ ATTENTION : Après le nettoyage du filtre, assurez-vous de le réinstaller à la position adéquate.

Nettoyez le filtre à intervalles réguliers puisqu'utiliser un filtre bouché peut entraîner une faible puissance d'aspiration.

1. Tournez dans le sens contraire des aiguilles d'une montre le capuchon antipoussière sur l'entrée d'aspiration à l'arrière du boîtier pour retirer le capuchon antipoussière du boîtier. Il est possible de désengager les deux languettes de verrouillage sur le capuchon antipoussière en les alignant avec les rainures de guidage du boîtier.

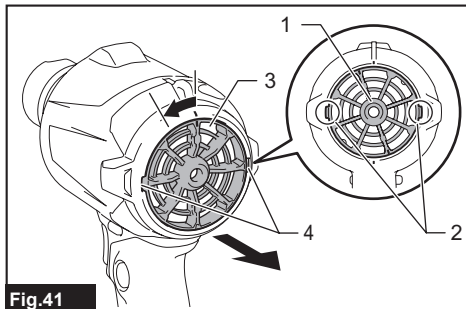


Fig.41

► 1. Capuchon antipoussière 2. Languettes de verrouillage 3. Entrée d'aspiration 4. Rainures de guidage

2. Retirez le filtre éponge circulaire B (gris noir) hors de l'entrée d'aspiration.

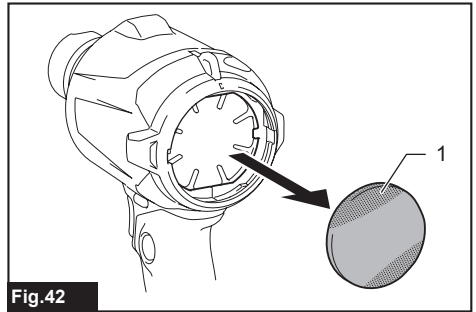


Fig.42

► 1. Filtre éponge circulaire B (gris noir)

Ne retirez pas le filtre éponge A (jaune) placé plus loin à l'intérieur de l'entrée d'aspiration, car il doit être en place pour protéger le moteur de tout dommage.

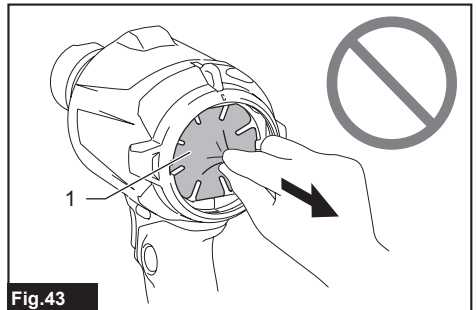


Fig.43

► 1. Filtre éponge A (jaune)

3. Essuyez et secouez la poussière du filtre éponge circulaire B à la main. Lavez occasionnellement le filtre dans l'eau, puis rincez-le et laissez-le sécher complètement, à l'ombre, avant de l'utiliser.

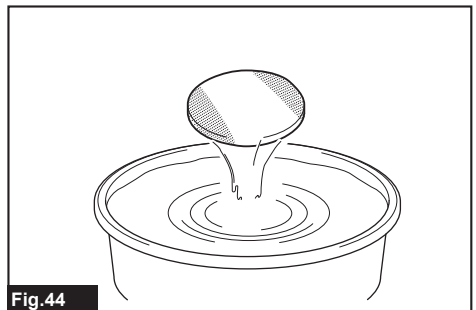


Fig.44

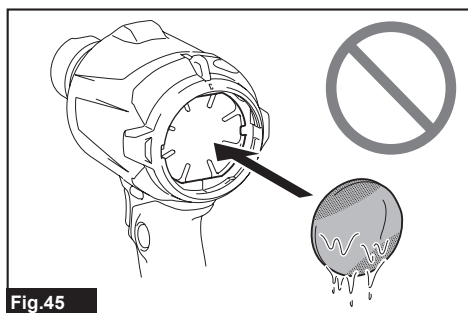


Fig.45

AVIS : Après l'avoir lavé dans l'eau, séchez le filtre éponge circulaire Bavant l'installation. Un filtre encore humide peut écourter la durée de vie du moteur.

AVIS : Ne lavez jamais les filtres dans une machine à laver.

AVIS : Évitez de frotter ou rayer les filtres avec des objets durs tels que brosses.

NOTE : Les filtres s'usent avec le temps. Il est recommandé d'en avoir quelques-uns de rechange.

4. Remettez le filtre éponge circulaire B sur l'entrée d'aspiration.

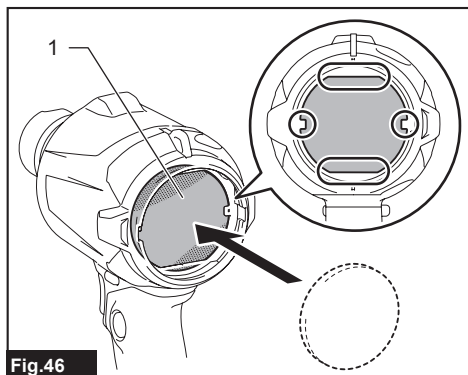


Fig.46

- 1. Filtre éponge circulaire B

5. Ré-assemblez le capuchon antipoussière sur l'entrée d'aspiration en alignant les deux languettes de verrouillage du capuchon antipoussière avec les rainures de guidage du boîtier. Puis, tournez le capuchon antipoussière dans le sens des aiguilles d'une montre pour le fixer en place.

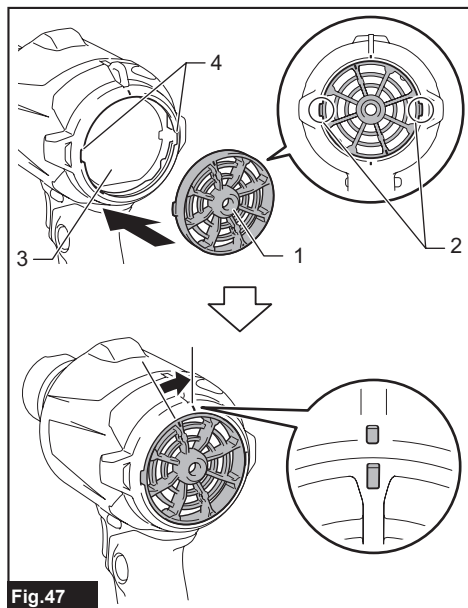


Fig.47

- 1. Capuchon antipoussière 2. Languettes de verrouillage 3. Entrée d'aspiration 4. Rainures de guidage

DÉPANNAGE

Avant de faire une demande de réparation, faites d'abord votre propre inspection. Si vous rencontrez un problème non indiqué dans ce manuel, n'essayez pas de démonter la machine. Demandez plutôt à un centre de service après-vente Makita agréé de faire la réparation avec des pièces de rechange Makita.

État anormal	Cause probable (dysfonctionnement)	Solution
Le moteur ne tourne pas.	La batterie n'est pas installée.	Installez la batterie.
	Problème de batterie (tension insuffisante)	Rechargez la batterie. Si la recharge est sans effet, remplacez la batterie.
	Le dispositif d'entraînement ne fonctionne pas bien.	Demandez à votre centre local de service après-vente agréé d'effectuer la réparation.
Le moteur cesse de tourner au bout d'un court instant.	La charge de la batterie est faible.	Rechargez la batterie. Si la recharge est sans effet, remplacez la batterie.
	Surchauffe.	Cessez d'utiliser l'outil pour le laisser refroidir.
L'outil n'atteint pas le volume d'air maximal.	La batterie est mal installée.	Installez la batterie tel que décrit dans ce manuel.
	La puissance de la batterie diminue.	Rechargez la batterie. Si la recharge est sans effet, remplacez la batterie.
	Le dispositif d'entraînement ne fonctionne pas bien.	Demandez à votre centre local de service après-vente agréé d'effectuer la réparation.
Vibration anormale : ⇒ arrêtez l'outil immédiatement!	Le dispositif d'entraînement ne fonctionne pas bien.	Demandez à votre centre local de service après-vente agréé d'effectuer la réparation.
Le moteur ne peut pas s'arrêter : ⇒ Retirez immédiatement la batterie !	Dysfonctionnement électrique ou électronique.	Retirez la batterie et demandez à votre centre local de service après-vente agréé d'effectuer la réparation.

ACCESSOIRES EN OPTION

⚠ ATTENTION : Ces accessoires ou pièces complémentaires sont recommandés pour l'utilisation avec le produit Makita spécifié dans ce manuel. L'utilisation de tout autre accessoire ou pièce complémentaire peut comporter un risque de blessure. N'utilisez les accessoires ou pièces complémentaires qu'aux fins auxquelles ils ont été conçus.

Si vous désirez obtenir plus de détails sur ces accessoires, veuillez contacter le centre de service après-vente Makita le plus près.

- Buse 3
- Buse 7
- Buse 13
- Buse de grande portée
- Buse pour valve à pincement
- Buse flexible 6
- Ensemble de buses longues
- Tuyau des orifices d'air complet
- Raccord en caoutchouc 20 - 30
- Raccord en caoutchouc 65
- Filtre C
- Crochet
- Chargeur et batterie authentiques Makita

NOTE : Certains éléments de la liste peuvent être inclus dans l'emballage du produit comme accessoires standard. Ils peuvent varier d'un pays à l'autre.

GARANTIE LIMITÉE MAKITA

Pour les conditions de garantie en vigueur qui s'appliquent à ce produit, veuillez vous reporter à la feuille de garantie en annexe. Si la feuille de garantie en annexe n'est pas disponible, reportez-vous aux détails de la garantie présentés sur le site Web de votre pays, ci-dessous.

États-Unis d'Amérique: www.makitatools.com

Canada: www.makita.ca

Autres pays: www.makita.com

ESPECIFICACIONES

Modelo:		AS001G
Velocidad del aire (promedio) ^{*2*3}		163 m/s (364 MPH)
Velocidad del aire (máx.) ^{*2*3}		200 m/s (447 MPH)
Volumen de aire máximo ^{*1*2}		1,1 m ³ /min (39 cu.ft./min)
Fuerza máxima de soplado ^{*1*2}	4: Máx.	2,8 N (0,63 lbf)
	3: Alto	2,3 N (0,52 lbf)
	2: Medio	1,7 N (0,38 lbf)
	1: Bajo	1,1 N (0,25 lbf)
Uso continuo ^{*1*2}	4: Máx.	13 min
	3: Alto	17 min
	2: Medio	25 min
	1: Bajo	50 min
Presión de aire máxima ^{*2*3}		29,7 kPa (4,2 PSI)
Dimensiones (La x An x Al) ^{*1*2}		180 mm x 94 mm x 300 mm (7-1/8" x 3-11/16" x 11-3/4")
Tensión nominal		36 V - 40 V c.c. máx.
Peso neto		1,5 kg - 2,9 kg (3,3 lbs - 6,4 lbs)

^{*1} Sin boquillas

^{*2} Con el modelo de batería BL4025

^{*3} Con boquilla 7

- Debido a nuestro continuo programa de investigación y desarrollo, las especificaciones aquí incluidas están sujetas a cambio sin previo aviso.
- Las especificaciones pueden variar de país a país.
- El peso puede variar en función de los accesorios, incluido el cartucho de batería. En la tabla se muestra la combinación de peso más ligero y más pesado conforme al procedimiento 01/2014 de EPTA.

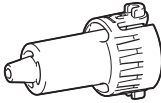
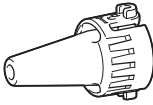
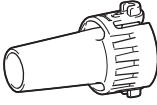
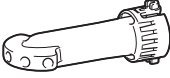
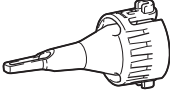
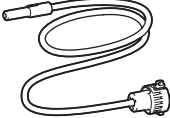
Cartucho de batería y cargador aplicables

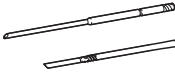
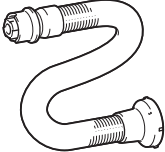

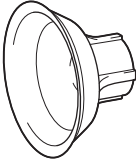
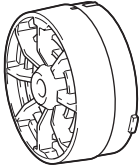
Cartucho de batería	BL4020* / BL4025* / BL4040* / BL4050F / BL4080F * : Batería recomendada
Cargador	DC40RA / DC40RB / DC40RC

- Algunos de los cartuchos de batería y cargadores enumerados arriba podrían no estar disponibles dependiendo de su área de residencia.

⚠ ADVERTENCIA: Use únicamente los cartuchos de batería y los cargadores indicados arriba. El uso de cualquier otro cartucho de batería y cargador podría ocasionar una lesión y/o un incendio.

Boquillas y aditamentos aplicables

Boquillas y aditamentos	Aplicaciones y propósitos	Diámetros
<p data-bbox="81 124 154 140">Boquilla 3</p> 	<p data-bbox="322 124 815 164">Soplar aire en espacios reducidos, esquinas y espacios cerca de las paredes para quitar el polvo.</p>	<p data-bbox="856 124 975 140">ø3,0 mm (ø1/8")</p>
<p data-bbox="81 351 154 367">Boquilla 7</p> 	<p data-bbox="322 351 535 367">Para quitar el polvo de filtros.</p>	<p data-bbox="856 351 986 367">ø7,0 mm (ø9/32")</p>
<p data-bbox="81 577 165 593">Boquilla 13</p> 	<p data-bbox="322 577 490 593">Uso como sopladora Limpieza de superficies de trabajo y soplado de polvo en general. Limpieza de orificio de anclaje con boquillas largas opcionales. Funciona como una unión entre boquillas largas y salida del soplador de la herramienta.</p> <p data-bbox="322 670 470 686">Uso como inflador Para inflar piscinas inflables o colchones de aire grandes.</p> <p data-bbox="322 705 498 721">Uso como desinflador Para desinflar piscinas inflables o colchones de aire grandes. Funciona como una unión entre la manguera de ventilación de aire completa y los aditamentos de goma.</p>	<p data-bbox="856 577 972 593">ø13 mm (ø1/2")</p>
<p data-bbox="81 804 280 820">Boquilla de rango completo</p> 	<p data-bbox="322 804 823 845">Soplado de aire sobre la suciedad y líquidos en escritorios y en áreas abiertas.</p> <p data-bbox="322 839 602 855">Rango de soplado: 120° con 5 orificios</p>	<p data-bbox="856 804 975 820">ø6,0 mm (ø1/4")</p> <p data-bbox="856 826 1024 858">* Como diámetro de un solo orificio</p>
<p data-bbox="81 1031 257 1062">Boquilla de la válvula de pinzamiento</p> 	<p data-bbox="322 1031 806 1062">Inflar/desinflar juguetes de playa, almohadas y artículos de plástico inflables similares.</p> <p data-bbox="322 1066 804 1098">* La operación de desinflado se puede realizar con la manguera de ventilación de aire completa opcional.</p>	<p data-bbox="856 1031 986 1046">ø7,0 mm (ø9/32")</p>
<p data-bbox="81 1273 210 1289">Boquilla flexible 6</p> 	<p data-bbox="322 1273 828 1305">Soplado del polvo de cualquier lugar de difícil acceso, computadoras y dispositivos similares.</p>	<p data-bbox="856 1273 997 1305">ø6,0 mm x 800 mm (ø1/4" x 31-1/2")</p>

Boquillas y aditamentos	Aplicaciones y propósitos	Diámetros
<p data-bbox="81 81 288 100">Conjunto de boquillas largas</p> 	<p data-bbox="320 81 843 172">Un conjunto de boquillas adecuadas para soplar el polvo de los orificios de anclaje y puntos estrechos. Las longitudes de las boquillas se pueden cambiar colocando y desconectando dos cabezales de boquillas. * Se pueden instalar boquillas largas utilizando la boquilla 13 como unión.</p>	<p data-bbox="854 81 986 100">ø8,0 mm (ø5/16")</p>
<p data-bbox="81 311 288 347">Manguera de ventilación de aire completa</p> 	<p data-bbox="320 311 843 330">Desinflar artículos inflables con boquillas adecuadas en funcionamiento.</p>	<p data-bbox="854 311 863 330">-</p>
<p data-bbox="81 555 288 574">Aditamento de goma 20 - 30</p> 	<p data-bbox="320 555 843 624">Cabezal de boquilla adecuado para desinflar colchones de aire, balsas, botes y piscinas. * Este aditamento debe instalarse con la manguera de ventilación de aire completa y la boquilla 13 juntas.</p>	<p data-bbox="854 555 1034 624">ø20 - 30 mm (ø13/16 - 1-3/16") * Medido como diámetro exterior.</p>
<p data-bbox="81 778 288 798">Aditamento de goma 65</p> 	<p data-bbox="320 778 843 831">Aditamento adecuado para empaquetar su ropa al sacarle el aire. * Este aditamento debe instalarse con la manguera de ventilación de aire completa y la boquilla 13 juntas.</p>	<p data-bbox="854 778 994 798">ø65 mm (ø2-9/16")</p>
<p data-bbox="81 1002 288 1021">Filtro C</p> 	<p data-bbox="320 1002 843 1038">Aditamento diseñado para reducir la admisión para polvo al motor en condiciones de trabajo polvorientas.</p>	<p data-bbox="854 1002 863 1021">-</p>

ADVERTENCIAS DE SEGURIDAD

Advertencias generales de seguridad para herramientas eléctricas

⚠️ ADVERTENCIA Lea todas las advertencias de seguridad, instrucciones, ilustraciones y especificaciones suministradas con esta herramienta eléctrica. El no seguir todas las instrucciones indicadas a continuación podrá ocasionar una descarga eléctrica, incendio o lesiones graves.

Conserve todas las advertencias e instrucciones como referencia en el futuro.

En las advertencias, el término "herramienta eléctrica" se refiere a su herramienta eléctrica de funcionamiento con conexión a la red eléctrica (con cableado eléctrico) o herramienta eléctrica de funcionamiento a batería (inalámbrica).

Seguridad en el área de trabajo

1. **Mantenga el área de trabajo limpia y bien iluminada.** Las áreas oscuras o desordenadas son propensas a accidentes.
2. **No utilice las herramientas eléctricas en atmósferas explosivas, tal como en la presencia de líquidos, gases o polvo inflamables.** Las herramientas eléctricas crean chispas que pueden prender fuego al polvo o los humos.
3. **Mantenga a los niños y curiosos alejados mientras utiliza una herramienta eléctrica.** Las distracciones le pueden hacer perder el control.

Seguridad eléctrica

1. **Las clavijas de conexión de las herramientas eléctricas deberán encajar perfectamente en la toma de corriente. No modifique nunca la clavija de conexión de ninguna forma. No utilice ninguna clavija adaptadora con herramientas eléctricas que tengan conexión a tierra (puesta a tierra).** La utilización de clavijas no modificadas y que encajen perfectamente en la toma de corriente reducirá el riesgo de que se produzca una descarga eléctrica.
2. **Evite tocar con el cuerpo superficies conectadas a tierra o puestas a tierra tales como tubos, radiadores, cocinas y refrigeradores.** Si su cuerpo es puesto a tierra o conectado a tierra existirá un mayor riesgo de que sufra una descarga eléctrica.
3. **No exponga las herramientas eléctricas a la lluvia ni a condiciones húmedas.** La entrada de agua en una herramienta eléctrica aumentará el riesgo de que se produzca una descarga eléctrica.
4. **No maltrate el cable. Nunca utilice el cable para transportar, jalar o desconectar la herramienta eléctrica. Mantenga el cable alejado del calor, aceite, objetos cortantes o piezas móviles.** Los cables dañados o enredados aumentan el riesgo de sufrir una descarga eléctrica.

5. **Cuando utilice una herramienta eléctrica en exteriores, utilice un cable de extensión apropiado para uso en exteriores.** La utilización de un cable apropiado para uso en exteriores reducirá el riesgo de que se produzca una descarga eléctrica.
6. **Si no es posible evitar usar una herramienta eléctrica en condiciones húmedas, utilice un alimentador protegido con interruptor de circuito de falla a tierra (ICFT).** El uso de un ICFT reduce el riesgo de descarga eléctrica.
7. **Las herramientas eléctricas pueden producir campos electromagnéticos (CEM) que no son dañinos para el usuario.** Sin embargo, si los usuarios tienen marcapasos y otros dispositivos médicos similares, deberán consultar al fabricante de su dispositivo y/o a su médico antes de operar esta herramienta eléctrica.

Seguridad personal

1. **Manténgase alerta, preste atención a lo que está haciendo y utilice su sentido común cuando opere una herramienta eléctrica. No utilice una herramienta eléctrica cuando esté cansado o bajo la influencia de drogas, alcohol o medicamentos.** Un momento de distracción mientras opera las herramientas eléctricas puede terminar en una lesión grave.
2. **Use equipo de protección personal. Póngase siempre protección para los ojos.** El equipo protector tal como máscara contra el polvo, zapatos de seguridad antiderrapantes, casco rígido y protección para oídos utilizado en las condiciones apropiadas reducirá el riesgo de lesiones.
3. **Impida el encendido accidental. Asegúrese de que el interruptor esté en la posición de apagado antes de conectar a la alimentación eléctrica y/o de colocar el cartucho de batería, así como al levantar o cargar la herramienta.** Cargar las herramientas eléctricas con su dedo en el interruptor o enchufarlas con el interruptor encendido hace que los accidentes sean comunes.
4. **Retire cualquier llave de ajuste o llave de apriete antes de encender la herramienta.** Una llave de ajuste o llave de apriete que haya sido dejada puesta en una parte giratoria de la herramienta eléctrica puede ocasionar alguna lesión.
5. **No utilice la herramienta donde no alcance. Mantenga los pies sobre suelo firme y el equilibrio en todo momento.** Esto permite un mejor control de la herramienta eléctrica en situaciones inesperadas.
6. **Use una vestimenta apropiada. No use ropa suelta ni alhajas. Mantenga el cabello y la ropa alejados de las piezas móviles.** Las prendas de vestir holgadas, las alhajas y el cabello largo suelto podrían engancharse en estas piezas móviles.
7. **Si dispone de dispositivos para la conexión de equipos de extracción y recolección de polvo, asegúrese de conectarlos y utilizarlos debidamente.** Hacer uso de la recolección de polvo puede reducir los riesgos relacionados con el polvo.

8. **No permita que la familiaridad adquirida debido al uso frecuente de las herramientas haga que se sienta confiado e ignore los principios de seguridad de las herramientas.** Un descuido podría ocasionar una lesión grave en una fracción de segundo.
9. **Utilice siempre gafas protectoras para proteger sus ojos de lesiones al usar herramientas eléctricas. Las gafas deben cumplir con la Norma ANSI Z87.1 en EUA. Es responsabilidad del empleador imponer el uso de equipos protectores de seguridad apropiados a los operadores de la herramienta y demás personas cerca del área de trabajo.**

Mantenimiento y uso de la herramienta eléctrica

1. **No fuerce la herramienta eléctrica. Utilice la herramienta eléctrica correcta para su aplicación.** La herramienta eléctrica adecuada hará un mejor trabajo y de forma más segura a la velocidad para la que ha sido fabricada.
2. **No utilice la herramienta eléctrica si el interruptor no la enciende y apaga.** Cualquier herramienta eléctrica que no pueda ser controlada con el interruptor es peligrosa y debe ser reemplazada.
3. **Desconecte la clavija de la fuente de alimentación y/o retire la batería de la herramienta eléctrica, en caso de ser removible, antes de realizar ajustes, cambiar accesorios o almacenar las herramientas eléctricas.** Tales medidas de seguridad preventivas reducirán el riesgo de poner en marcha la herramienta eléctrica de forma accidental.
4. **Guarde la herramienta eléctrica que no use fuera del alcance de los niños y no permita que las personas que no están familiarizadas con ella o con las instrucciones la operen.** Las herramientas eléctricas son peligrosas en manos de personas que no saben operarlas.
5. **Dé mantenimiento a las herramientas eléctricas y los accesorios. Compruebe que no haya piezas móviles desalineadas o estancadas, piezas rotas y cualquier otra condición que pueda afectar al funcionamiento de la herramienta eléctrica. Si la herramienta eléctrica está dañada, haga que la reparen antes de utilizarla.** Muchos de los accidentes son ocasionados por no dar un mantenimiento adecuado a las herramientas eléctricas.
6. **Mantenga las herramientas de corte limpias y filosas.** Si recibe un mantenimiento adecuado y tiene los bordes afilados, es probable que la herramienta se atasque menos y sea más fácil controlarla.
7. **Utilice la herramienta eléctrica, los accesorios y las brocas de acuerdo con estas instrucciones, considerando las condiciones laborales y el trabajo a realizar.** Si utiliza la herramienta eléctrica para realizar operaciones distintas de las indicadas, podrá presentarse una situación peligrosa.
8. **Mantenga los mangos y superficies de asiento secos, limpios y libres de aceite o grasa.** Los mangos y superficies de asiento resbalosos no permiten una manipulación segura ni el control de la herramienta en situaciones inesperadas.

9. **Cuando vaya a utilizar esta herramienta, evite usar guantes de trabajo de tela ya que éstos podrían atorarse.** Si los guantes de trabajo de tela llegaran a atorarse en las piezas móviles, esto podría ocasionar lesiones personales.

Uso y cuidado de la herramienta a batería

1. **Recargue sólo con el cargador especificado por el fabricante.** Un cargador que es adecuado para un solo tipo de batería puede generar riesgo de incendio al ser utilizado con otra batería.
2. **Utilice las herramientas eléctricas solamente con las baterías designadas específicamente para ellas.** La utilización de cualquier otra batería puede crear un riesgo de lesiones o incendio.
3. **Cuando no se esté usando la batería, manténgala alejada de otros objetos metálicos, como sujetapapeles (clips), monedas, llaves, clavos, tornillos u otros objetos pequeños de metal los cuales pueden actuar creando una conexión entre las terminales de la batería.** Originar un cortocircuito en las terminales puede causar quemaduras o incendios.
4. **En condiciones abusivas, podrá escapar líquido de la batería; evite tocarlo. Si lo toca accidentalmente, enjuague con agua. Si hay contacto del líquido con los ojos, busque asistencia médica.** Puede que el líquido expulsado de la batería cause irritación o quemaduras.
5. **No utilice una herramienta ni una batería que estén dañadas o hayan sido modificadas.** Las baterías dañadas o modificadas podrían ocasionar una situación inesperada provocando un incendio, explosión o riesgo de lesiones.
6. **No exponga la herramienta ni la batería al fuego ni a una temperatura excesiva.** La exposición al fuego o a una temperatura superior a los 130 °C podría causar una explosión.
7. **Siga todas las instrucciones para la carga y evite cargar la herramienta o la batería fuera del rango de temperatura especificado en las instrucciones.** Una carga inadecuada o a una temperatura fuera del rango especificado podría dañar la batería e incrementar el riesgo de incendio.

Servicio

1. **Haga que una persona calificada repare la herramienta eléctrica utilizando sólo piezas de repuesto idénticas.** Esto asegura que se mantenga la seguridad de la herramienta eléctrica.
2. **Nunca dé servicio a baterías que estén dañadas.** El servicio a las baterías solamente deberá ser efectuado por el fabricante o un agente de servicio autorizado.
3. **Siga las instrucciones para la lubricación y cambio de accesorios.**
4. **No modifique ni intente reparar el aparato ni el paquete de baterías salvo como se indique en las instrucciones para el uso y cuidado.**

INSTRUCCIONES IMPORTANTES DE SEGURIDAD

Al usar cualquier aparato eléctrico, siempre deben seguirse las precauciones básicas, incluyendo las siguientes:

GUARDE ESTAS INSTRUCCIONES.

ADVERTENCIA: Para reducir el riesgo de incendio, descarga eléctrica o lesión:

1. No deje el aparato con la batería puesta. Retire la batería del aparato cuando no lo vaya a utilizar y antes de dar servicio de mantenimiento.
2. No lo exponga a la lluvia. Almacénelo en interiores.
3. No permita que sea utilizado como un juguete. Supervise de cerca cuando lo utilicen niños o se utilice cerca de ellos.
4. Utilícelo solamente como se describe en este manual. Sólo use aditamentos recomendados por el fabricante.
5. No lo utilice con una batería dañada. Si el aparato no está funcionando como debiera, se ha dejado caer, se ha dañado, se ha dejado a la intemperie o ha caído sobre agua, llévelo a un centro de servicio.
6. No manipule el aparato con las manos mojadas.
7. No introduzca ningún objeto en las aberturas. No lo utilice con ninguna abertura bloqueada; manténgalo libre de polvo, pelusa, cabello y cualquier objeto que pueda reducir el flujo de aire.
8. Mantenga el cabello, la ropa holgada, los dedos y todas las partes del cuerpo lejos de las aberturas y piezas móviles.

9. Apague todos los controles antes de retirar el cartucho de batería.
10. Tenga especial cuidado cuando limpie en escaleras.
11. No lo utilice para recoger líquidos inflamables o combustibles, tal como gasolina, ni en áreas donde puedan estar presentes.
12. Recargue sólo con el cargador especificado por el fabricante. Un cargador que es adecuado para un solo tipo de paquete de baterías puede generar riesgo de incendio al ser utilizado con otro paquete de baterías.

GUARDE ESTAS INSTRUCCIONES.

Este aparato está diseñado para un uso doméstico solamente.

Instrucciones de seguridad para la sopladora inalámbrica

Preparación

1. No use ropa holgada o alhajas que puedan ser jaladas hacia la entrada de aire. Mantenga el cabello largo lejos de las entradas de aire.
2. Use siempre gafas protectoras, una gorra y una mascarilla cuando utilice la sopladora de polvo. Los anteojos comunes o para el sol NO son gafas de seguridad.
3. Para evitar la irritación por polvo, se recomienda el uso de una mascarilla.

Funcionamiento en general

1. Apague la sopladora de polvo y retire el cartucho de batería y asegúrese de que todas las partes móviles se hayan detenido por completo
 - cada vez que deje la sopladora de polvo.
 - siempre que cambie de inflado a desinflado, y viceversa.
 - antes de revisar, limpiar o trabajar en la sopladora de polvo.
 - si la sopladora de polvo empieza a vibrar de manera anormal.
2. Utilice la sopladora de polvo solamente a la luz del día o en buenas condiciones de iluminación artificial.
3. No use una postura forzada y mantenga el equilibrio y los pies en firme en todo momento.
4. Mantenga todas las entradas de aire despejadas de residuos.
5. Utilice la sopladora de polvo en una posición recomendada y sobre una superficie firme.
6. No use la herramienta con las manos mojadas.
7. Nunca apunte la salida de la boquilla y del aditamento hacia usted ni hacia otras personas. Podrían salir objetos despedidos y causar lesiones.

8. **No utilice la herramienta para rociar productos químicos.** Podría dañarse los pulmones al inhalar gases tóxicos.
9. **No opere la sopladora de polvo en lugares elevados.**
10. **Nunca bloquee la entrada de succión o la salida de la sopladora.**
 - **Tenga cuidado de no bloquear la entrada de succión o la salida de la sopladora con polvo o suciedad al operar en áreas con polvo.**
 - **No use boquillas que no sean las proporcionadas por Makita.**
11. **Si la sopladora de polvo golpea algún objeto extraño o comienza a hacer cualquier ruido o vibración inusual, apague la sopladora de polvo inmediatamente para detenerlo. Retire el cartucho de batería de la sopladora de polvo e inspeccione la sopladora de polvo antes de volver a encenderla y ponerla en funcionamiento. Si la sopladora de polvo se daña, solicite la reparación a los centros de servicio autorizado de Makita.**
12. **No introduzca los dedos u otros objetos en la entrada de succión o en la salida de la sopladora.**
13. **Evite un arranque accidental. Asegúrese de que el interruptor esté en la posición apagada antes de insertar el cartucho de batería, levantar la sopladora de polvo o cargarla. Cargar la sopladora de polvo con su dedo en el interruptor o pasar energía a la sopladora de polvo con el interruptor encendido puede propiciar accidentes.**
14. **Evite hacer funcionar la sopladora de polvo durante mucho tiempo en ambientes de temperatura baja.**
15. **No utilice la herramienta por encima de la presión de salida máxima de la herramienta. Si se usa la herramienta a una presión de salida superior a la presión de salida máxima de la herramienta, el objeto o la herramienta podrían estallar.**
4. **Infle únicamente aquellos objetos que hayan sido diseñados por el fabricante para ser inflados, tales como juguetes de playa o colchones de aire.** Si se inflan otros objetos, podrían resultar dañados y podrían producirse lesiones.
5. **Al inflar objetos, compruebe el estado de la herramienta y del objeto, y cerciórese de que no haya fugas de aire del objeto.**
6. **Durante la operación, siempre tenga cuidado de no inflar de más los objetos.** De lo contrario, podría hacer estallar los objetos, lo que podría causar daños a la herramienta y lesiones personales.
7. **Después de inflar el objeto, compruebe la presión de aire mediante un aparato de medida calibrado y fiable.**
8. **Nunca deje la herramienta sin atender cuando la boquilla o el aditamento se acopla al objeto o durante el funcionamiento.**
9. **No utilice la herramienta como una aspiradora.** La recolección de polvo podría dañar la herramienta.
10. **No use la herramienta como un dispositivo respiratorio.**
11. **Utilice únicamente accesorios estándar suministrados por Makita.** El uso de cualquier otro accesorio o aditamento puede ocasionar riesgo de lesiones personales.

Mantenimiento y almacenamiento

1. **Mantenga apretados todos los tuercas, pernos y tornillos para asegurar que la sopladora de polvo se encuentre en condiciones seguras de operación.**
2. **Si las piezas están desgastadas o dañadas, reemplácelas con piezas proporcionadas por Makita.**
3. **Guarde la sopladora de polvo en un lugar seco fuera del alcance de los niños.**
4. **Cuando detenga la sopladora de polvo para inspeccionarla, repararla, almacenarla o cambiarle un accesorio, apáguela y asegúrese de que todas las partes en movimiento se detengan por completo y retire el cartucho de batería. Enfríe la sopladora de polvo antes de realizar cualquier trabajo en la misma. Mantenga la sopladora de polvo con cuidado y manténgala limpia.**
5. **Cuando transporte la herramienta, no sujete ni tire de una boquilla o accesorio.** La herramienta podría resultar dañada y causar lesiones.
6. **Siempre permita que la sopladora de polvo se enfríe antes de almacenarla.**
7. **No desensamble la herramienta.**

Servicio

1. **Haga que una persona calificada repare la herramienta eléctrica utilizando sólo piezas de repuesto idénticas.** Esto asegura que se mantenga la seguridad de la herramienta eléctrica.
2. **Nunca dé servicio a baterías que estén dañadas.** El servicio a las baterías solamente deberá ser efectuado por el fabricante o un agente de servicio autorizado.

Operación de soplado

1. **Nunca sople escombros en dirección de las personas cercanas.**
2. **Cuando utilice la sopladora de polvo, no apunte nunca la boquilla a nadie alrededor.**
3. **Nunca sople sobre materiales peligrosos, como clavos, fragmentos de vidrio o cuchillas.**
4. **No opere la sopladora de polvo cerca de materiales inflamables.**

Operación de inflado/desinflado

1. **Al inflar objetos, conecte una boquilla o un aditamento a la entrada de aire de forma segura.** De lo contrario, el objeto, boquilla o aditamento podrían resultar dañados y producir lesiones a las personas.
2. **Purgue despacio la presión de aire. Cuando retire una boquilla o aditamento después de inflar objetos, sujete firmemente el objeto, la boquilla y el aditamento.** Podrían salir despedidos debido al aire de escape y causar lesiones.
3. **No infle el objeto más allá de la presión máxima especificada para el objeto.** De lo contrario, la herramienta o el objeto pueden resultar dañados y producir lesiones a las personas.

CONSERVE ESTAS INSTRUCCIONES.

⚠️ ADVERTENCIA: NO DEJE que la comodidad o familiaridad con el producto (a base de utilizarlo repetidamente) evite que siga estrictamente las normas de seguridad para dicho producto.

El USO INCORRECTO o el no seguir las normas de seguridad indicadas en este manual de instrucciones puede ocasionar lesiones graves.

Símbolos

A continuación se muestran los símbolos utilizados para la herramienta.

v	volts o voltios
— — —	corriente directa o continua

Instrucciones importantes de seguridad para el cartucho de batería

1. Antes de utilizar el cartucho de batería, lea todas las instrucciones e indicaciones de precaución en el (1) el cargador de batería, (2) la batería, y (3) el producto con el que se utiliza la batería.
2. No desarme ni modifique el cartucho de batería. Podría ocurrir un incendio, calor excesivo o una explosión.
3. Si el tiempo de operación se ha acortado en exceso, deje de operar de inmediato. Podría correrse el riesgo de sobrecalentamiento, posibles quemaduras e incluso explosión.
4. En caso de que ingresen electrolitos en sus ojos, enjuáguelos bien con agua limpia y consulte de inmediato a un médico. Esto podría ocasionar pérdida de visión.
5. Evite cortocircuitar el cartucho de batería:
 - (1) No toque las terminales con ningún material conductor.
 - (2) Evite guardar el cartucho de batería en un cajón junto con otros objetos metálicos, tales como clavos, monedas, etc.
 - (3) No exponga el cartucho de batería al agua o la lluvia.Un cortocircuito en la batería puede causar un flujo grande de corriente, sobrecalentamiento, posibles quemaduras e incluso una descompostura.
6. No guarde ni utilice la herramienta y el cartucho de batería en lugares donde la temperatura pueda alcanzar o exceder los 50 °C (122 °F).
7. Nunca incinere el cartucho de batería incluso en el caso de que esté dañado seriamente o ya no sirva en absoluto. El cartucho de batería puede explotar si se tira al fuego.
8. No clave, corte, aplaste, lance o deje caer el cartucho de batería, ni golpee un objeto sólido contra el cartucho de batería. Dicha acción podría resultar en un incendio, calor excesivo o en una explosión.

9. No use una batería dañada.
10. Las baterías de ión de litio están sujetas a los requisitos reglamentarios en materia de bienes peligrosos.

Para el transporte comercial, por ej., mediante terceros o agentes de transporte, se deben tomar en cuenta los requisitos especiales relativos al empaque y el etiquetado.

Para efectuar los preparativos del artículo que se va a enviar, se requiere consultar a un experto en materiales peligrosos. Si es posible, consulte además otras regulaciones nacionales más detalladas.

Pegue o cubra con cinta adhesiva los contactos abiertos y empaque la batería de manera que ésta no pueda moverse dentro del paquete.
11. Para deshacerse del cartucho de batería, sáquelo de la herramienta y deséchelo en un lugar seguro. Siga las regulaciones locales relacionadas al desecho de las baterías.
12. Utilice las baterías únicamente con los productos especificados por Makita. Instalar las baterías en productos que no cumplan con los requisitos podría ocasionar un incendio, un calentamiento excesivo, una explosión o una fuga de electrolito.
13. Si no se utiliza la herramienta por un período largo, debe extraerse la batería de la herramienta.
14. El cartucho de batería podría absorber calor durante y después de su uso, lo que ocasionaría quemaduras o quemaduras a baja temperatura. Tenga cuidado con la manipulación de los cartuchos de batería que estén calientes.
15. No toque el terminal de la herramienta inmediatamente después de su uso, ya que el mismo podría estar lo suficientemente caliente como para provocar quemaduras.
16. No permita que las rebabas, el polvo o la tierra queden atrapados en los terminales, orificios y ranuras del cartucho de batería. Podría provocar calentamiento, incendio, explosión y mal funcionamiento de la herramienta o del cartucho de batería, lo que resultaría en quemaduras o lesiones personales.
17. No utilice el cartucho de batería cerca de cables eléctricos de alto voltaje, a menos que la herramienta sea compatible con el uso cercano a estos cables eléctricos de alto voltaje. Esto podría ocasionar una avería o descompostura de la herramienta o del cartucho de batería.
18. Mantenga la batería alejada de los niños.

GUARDE ESTAS INSTRUCCIONES.

⚠️ PRECAUCIÓN: Utilice únicamente baterías originales de Makita. El uso de baterías no originales de Makita, o de baterías alteradas, puede ocasionar que las baterías exploten causando un incendio, lesiones personales y daños. Asimismo, esto invalidará la garantía de Makita para la herramienta y el cargador Makita.

Consejos para alargar al máximo la vida útil de la batería

1. Cargue el cartucho de batería antes de que se descargue completamente. Pare siempre la operación y cargue el cartucho de batería cuando note menos potencia en la herramienta.
2. No cargue nunca un cartucho de batería que esté completamente cargado. La sobrecarga acortará la vida de servicio de la batería.
3. Cargue el cartucho de batería a una temperatura ambiente de 10 °C - 40 °C (50 °F - 104 °F). Si un cartucho de batería está caliente, déjelo enfriar antes de cargarlo.
4. Cuando no utilice el cartucho de batería, sáquelo de la herramienta o del cargador.
5. Cargue el cartucho de batería si no va a utilizarlo durante un período prolongado (más de seis meses).

MONTAJE

⚠PRECAUCIÓN: Asegúrese siempre de que la herramienta esté apagada y el cartucho de batería haya sido extraído antes de realizar cualquier trabajo en la misma.

Instalación de la boquilla

Alinee las protuberancias de la guía de una boquilla con las muescas de bloqueo del manguito de bloqueo de la herramienta, luego empuje la boquilla firmemente dentro del manguito de bloqueo hasta que encaje en su lugar con un clic. Una vez instalada la boquilla, trate de jalarla para asegurarse de que está firmemente en su sitio.

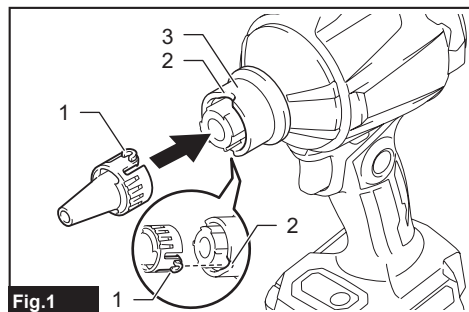


Fig.1
► 1. Protuberancias de la guía 2. Muescas de bloqueo 3. Manguito de bloqueo

AVISO: Asegúrese de que la boquilla se haya colocado correctamente en la herramienta, para que las protuberancias de la guía de la boquilla encajen perfectamente en las muescas de bloqueo del manguito de bloqueo.

Extracción de la boquilla

Sostenga el extremo de la boquilla y gírelo en la dirección indicada por las flechas en el extremo de la boquilla para liberar el seguro. Separe la boquilla del manguito de bloqueo después de que se desbloquee.

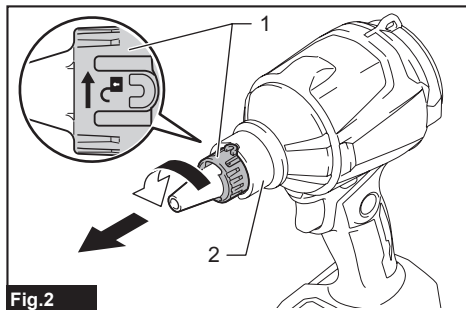


Fig.2

► 1. Extremo de la boquilla 2. Manguito de bloqueo

AVISO: La suciedad y el polvo adheridos a la superficie posiblemente dificulten la extracción de la boquilla de la herramienta. En tal caso, deslice y sostenga el manguito de bloqueo hacia la carcasa del motor primero, y luego gire el extremo de la boquilla para liberar el bloqueo.

⚠PRECAUCIÓN: Tenga cuidado de no pillarse las manos entre el extremo trasero del manguito de bloqueo y la carcasa del motor mientras retira la boquilla. El manguito de bloqueo se desliza hacia la carcasa del motor cuando la boquilla se suelta del seguro.

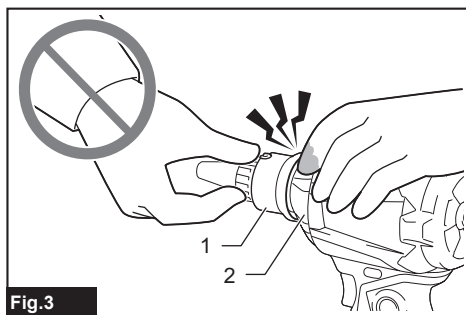


Fig.3

► 1. Manguito de bloqueo 2. Carcasa del motor

Extracción e instalación de la tapa guardapolvo

1. Gire la tapa guardapolvo en la entrada de succión en sentido inverso al de las manecillas del reloj para quitar la tapa guardapolvo de la carcasa. Dos lengüetas de bloqueo de la tapa guardapolvo se pueden desacoplar al alinearlas con las ranuras de guía de la carcasa.

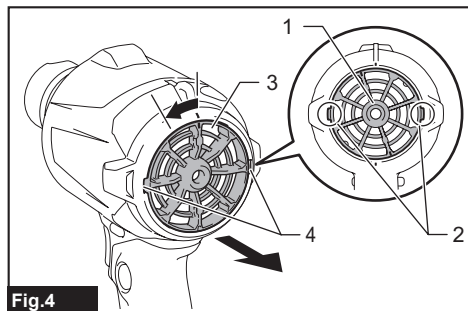


Fig.4

► 1. Tapa guardapolvo 2. Lengüetas de bloqueo
3. Entrada de succión 4. Ranuras de guía

2. Vuelva a montar la tapa guardapolvo sobre la entrada de succión, alineando las dos lengüetas de bloqueo de la tapa guardapolvo con las ranuras de guía de la carcasa. Luego, gire la tapa guardapolvo en el sentido de las manecillas del reloj para afianzarla en su sitio.

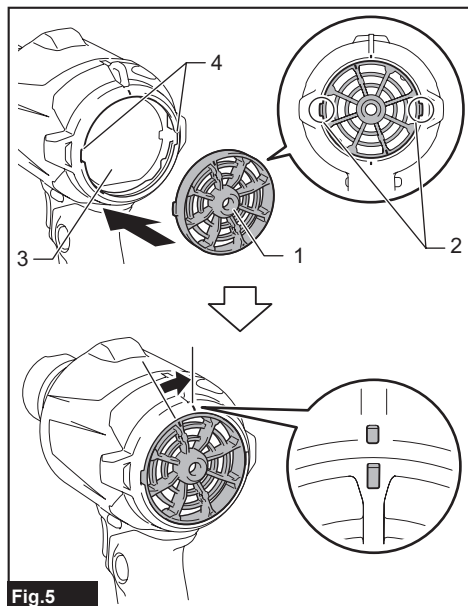


Fig.5

► 1. Tapa guardapolvo 2. Lengüetas de bloqueo
3. Entrada de succión 4. Ranuras de guía

Instalación y extracción de boquillas largas

Accesorio opcional

Un juego de boquillas largas ayuda a limpiar el polvo de pequeños orificios y puntos estrechos. Las longitudes de las boquillas se pueden organizar de acuerdo con sus necesidades.

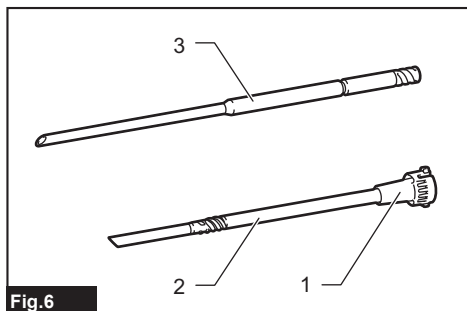


Fig.6

► 1. Boquilla 13 2. Boquilla larga R 3. Boquilla larga F

1. Inserte la boquilla larga R a través del orificio de aire de la boquilla 13 de atrás hacia adelante. Pásela hasta que la boquilla 13 quede asegurada en su lugar en el extremo posterior de la boquilla larga R.

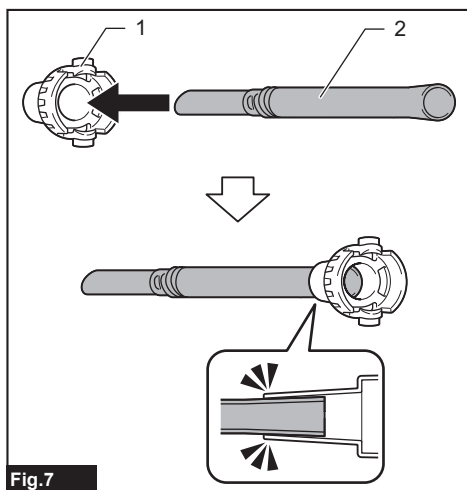


Fig.7

► 1. Boquilla 13 2. Boquilla larga R

2. Coloque la boquilla larga F sobre el extremo frontal de la boquilla larga R. Enrosque con la mano la boquilla larga F hasta que quede algo apretada, luego vuelva a apretarla firmemente.

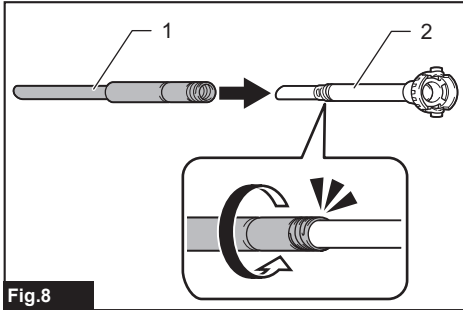


Fig.8

► 1. Boquilla larga F 2. Boquilla larga R

3. Alinee las protuberancias de la guía de la boquilla 13 con las muescas de bloqueo del manguito de bloqueo de la herramienta, luego empuje la boquilla 13 firmemente dentro del manguito de bloqueo hasta que encaje en su lugar con un clic.

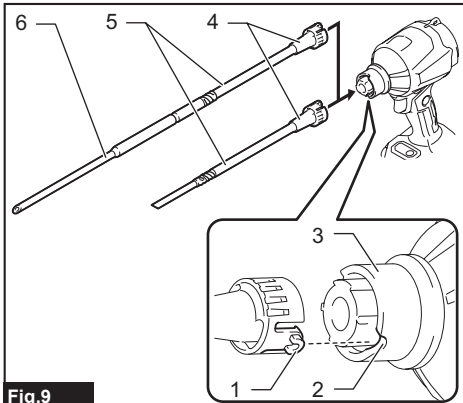


Fig.9

► 1. Protuberancia de la guía 2. Muesca de bloqueo 3. Manguito de bloqueo 4. Boquilla 13 5. Boquilla larga R 6. Boquilla larga F

NOTA: Use la boquilla larga R solo para tener un rango de operación más corto. Utilice ambas boquillas largas R y F para permitir un rango de operación más amplio.

4. Para quitar las boquillas largas, separe la boquilla 13 del manguito de bloqueo de la herramienta, y luego desmonte las boquillas largas.

Instalación y remoción de boquillas y aditamentos de desinflado

Accesorio opcional

AVISO: Asegúrese siempre de instalar y desinstalar las boquillas y aditamentos de desinflado solo mientras la manguera de ventilación de aire completa esté desconectada de la herramienta. Manipular la manguera de ventilación de aire completa ensamblada en la herramienta podría causar que la herramienta permanezca inestable y que se caiga.

1. Alinee las protuberancias de la boquilla de la válvula de pinzamiento con las muescas de bloqueo del manguito de bloqueo de la manguera de ventilación de aire completa, luego empuje la boquilla de la válvula de pinzamiento firmemente dentro del manguito de bloqueo hasta que encaje en su lugar con un clic.

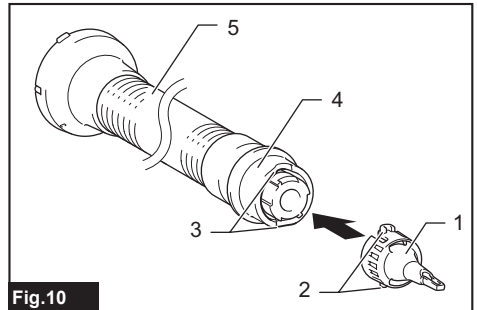


Fig.10

► 1. Boquilla de la válvula de pinzamiento 2. Protuberancias de la guía 3. Muescas de bloqueo 4. Manguito de bloqueo 5. Manguera de ventilación de aire completa

Aditamento de goma opcionales

Los aditamentos de goma opcionales deben colocarse sobre la boquilla. Tenga cuidado de no colocar aditamentos de goma directamente en la manguera de ventilación de aire completa.

i. Alinee las protuberancias de la guía de la boquilla 13 con las muescas de bloqueo del manguito de bloqueo de la manguera de ventilación de aire completa, luego empuje la boquilla firmemente en el manguito de bloqueo hasta que encaje en su lugar con un clic.

ii. Coloque un aditamento de goma sobre el cabezal de la boquilla empujándolo y enrosque a mano en su sitio.

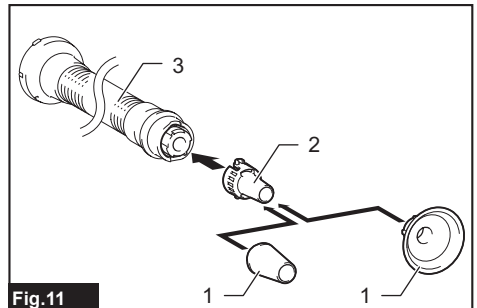


Fig.11

► 1. Aditamentos de goma 2. Boquilla 13 3. Manguera de ventilación de aire completa

AVISO: Asegúrese de que la boquilla se haya colocado correctamente en la manguera de ventilación de aire completa, para que las protuberancias de la guía de la boquilla encajen perfectamente en las muescas de bloqueo del manguito de bloqueo.

2. Gire la tapa guardapolvo en la entrada de succión en la parte trasera de la carcasa en sentido inverso al de las manecillas del reloj para quitar la tapa guardapolvo de la carcasa. Dos lengüetas de bloqueo de la tapa guardapolvo se pueden desacoplar al alinearlas con las ranuras de guía de la carcasa.

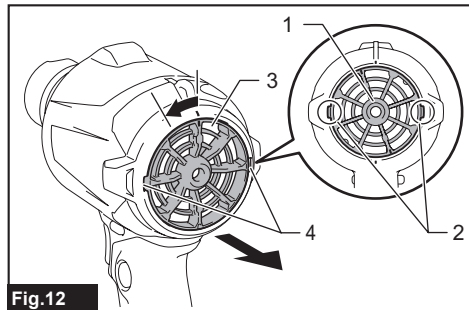


Fig.12

1. Tapa guardapolvo 2. Lengüetas de bloqueo 3. Entrada de succión 4. Ranuras de guía

3. Conecte el extremo de la manguera de ventilación de aire completa a la entrada de succión, alineando las dos lengüetas de bloqueo de la manguera de ventilación de aire completa con las ranuras de guía de la carcasa. Luego sostenga y gire los manguitos posteriores de la manguera de ventilación de aire completa en el sentido de las manecillas del reloj para asegurarla en su lugar.

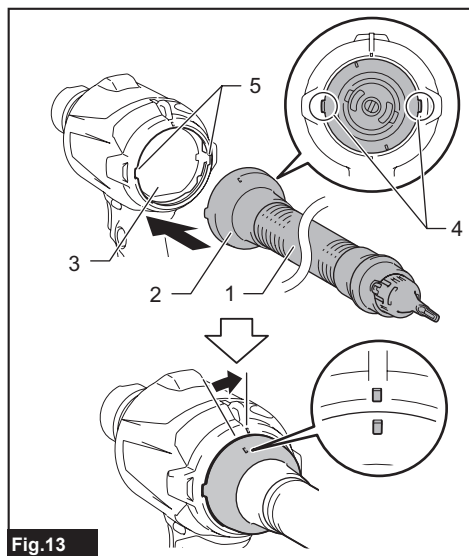


Fig.13

1. Manguera de ventilación de aire completa 2. Manguitos posteriores 3. Entrada de succión 4. Lengüetas de bloqueo 5. Ranuras de guía

4. Para quitar la boquilla y los aditamentos de desinflado, siga los pasos de instalación en orden inverso.

AVISO: Siempre sostenga y gire los manguitos posteriores de la manguera de ventilación de aire completa para instalar y desinstalar la manguera de ventilación de aire completa en su lugar.

Instalación del filtro opcional

Accesorio opcional

Un filtro de alto desempeño opcional (Filtro C) está disponible para restringir la entrada de polvo al motor en condiciones de trabajo polvorientas.

1. Gire la tapa guardapolvo en la entrada de succión en la parte trasera de la carcasa en sentido inverso al de las manecillas del reloj para quitar la tapa guardapolvo de la carcasa. Dos lengüetas de bloqueo de la tapa guardapolvo se pueden desacoplar al alinearlas con las ranuras de guía de la carcasa.

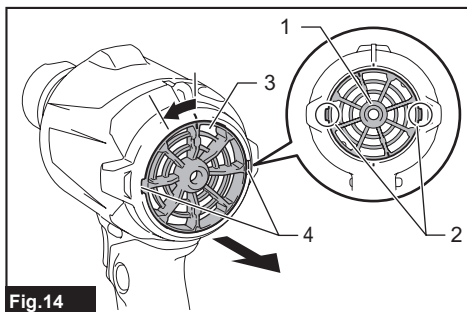


Fig.14

1. Tapa guardapolvo 2. Lengüetas de bloqueo 3. Entrada de succión 4. Ranuras de guía

2. Reemplace un filtro de alto desempeño opcional de la entrada de succión, alineando las dos lengüetas de bloqueo del filtro opcional con las ranuras de guía de la carcasa. Luego, gire el filtro opcional en el sentido de las manecillas del reloj para afianzarlo en su sitio.

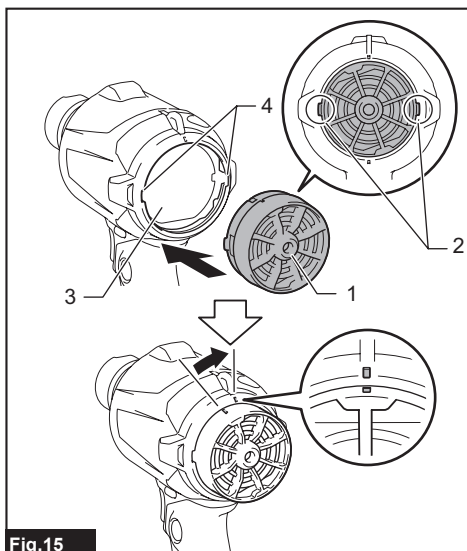


Fig.15

1. Filtro de alto desempeño opcional 2. Lengüetas de bloqueo 3. Entrada de succión 4. Ranuras de guía

AVISO: Un filtro de alto desempeño opcional (filtro C) se puede reutilizar muchas veces limpiándolo. Limpie el polvo del filtro con regularidad, ya que un filtro obstruido puede bloquear el flujo de aire y causar un funcionamiento menos eficiente. De vez en cuando, lave el filtro con agua, enjuáguelo y séquelo bien a la sombra antes de usarlo.

AVISO: No limpie, frote ni raye un filtro de alto desempeño opcional (filtro C) con fuerza. Asegúrese de sacudir o soplar el polvo del filtro con cuidado.

DESCRIPCIÓN DEL FUNCIONAMIENTO

PRECAUCIÓN: Asegúrese siempre de que la herramienta esté apagada y el cartucho de batería haya sido extraído antes de realizar cualquier ajuste o comprobación en la herramienta.

Instalación o extracción del cartucho de batería

PRECAUCIÓN: Apague siempre la herramienta antes de colocar o quitar el cartucho de batería.

PRECAUCIÓN: Sujete la herramienta y el cartucho de la batería con firmeza al colocar o quitar el cartucho de batería. Si no se sujeta con firmeza la herramienta y el cartucho de batería, puede ocasionar que se resbalen de sus manos causando daños a la herramienta y al cartucho de batería, así como lesiones a la persona.

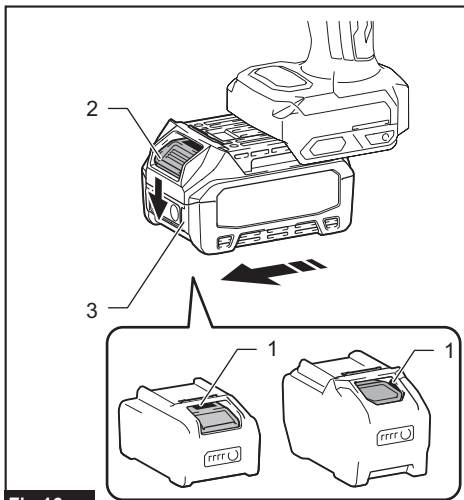


Fig.16

► 1. Indicador rojo 2. Botón 3. Cartucho de batería

Para quitar el cartucho de batería, deslícelo de la herramienta mientras desliza el botón sobre la parte delantera del cartucho.

Para instalar el cartucho de batería, alinee la lengüeta sobre el cartucho de batería con la ranura en la carcasa y deslícela hasta su lugar. Insértelo por completo hasta que se fije en su lugar con un pequeño clic. Si puede ver el indicador rojo como se muestra en la ilustración, este no ha quedado asegurado por completo.

PRECAUCIÓN: Introduzca siempre completamente el cartucho de batería hasta que el indicador rojo no pueda verse. Si no, podría accidentalmente salirse de la herramienta y caer al suelo causando una lesión a usted o alguien a su alrededor.

PRECAUCIÓN: No instale el cartucho de batería a la fuerza. Si el cartucho no se desliza al interior fácilmente, se debe a que no está siendo insertado correctamente.

Indicación de la capacidad restante de la batería

Oprima el botón de verificación en el cartucho de la batería para que indique la capacidad restante de la batería. Las luces indicadoras se iluminarán por algunos segundos.

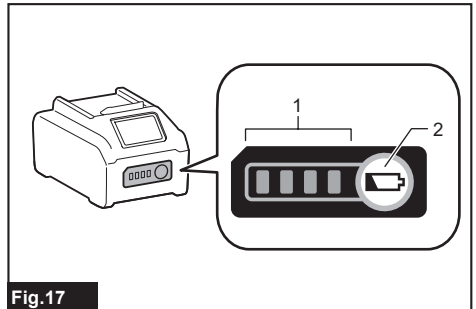


Fig.17

► 1. Luces indicadoras 2. Botón de verificación

Luces indicadoras			Capacidad restante
Iluminadas	Apagadas	Parpadeando	
			75% a 100%
			50% a 75%
			25% a 50%
			0% a 25%
			Cargar la batería.
			La batería pudo haber funcionado mal.

NOTA: Dependiendo de las condiciones de uso y la temperatura ambiente, la indicación podrá diferir ligeramente de la capacidad real.

NOTA: La primera luz indicadora (extrema izquierda) parpadeará cuando el sistema de protección de batería esté en funcionamiento.

Sistema de protección para la herramienta/batería

La herramienta está equipada con un sistema de protección de la herramienta/batería. Este sistema corta en forma automática el suministro de energía al motor para prolongar la vida útil de la herramienta y la batería. La herramienta se detendrá automáticamente durante la operación si la herramienta o la batería se someten a una de las siguientes condiciones:

Protección contra sobrecarga

Cuando la herramienta/batería sea operada de tal forma que cause que use una cantidad de corriente anormalmente alta, la herramienta se detendrá automáticamente. En esta situación, apague la herramienta y detenga la aplicación que haya causado que la herramienta se sobrecargara. Luego encienda la herramienta para reiniciarla.

Protección contra sobrecalentamiento

Cuando la herramienta/batería se sobrecalienten, la herramienta se detendrá automáticamente. En este caso, permita que la herramienta se enfríe antes de volver a encenderla.

Protección en caso de sobredescarga

Cuando la capacidad de la batería no sea suficiente, la herramienta se detendrá automáticamente y la luz parpadeará. En este caso, extraiga la batería de la herramienta y cargue la batería.

Protección contra otras causas

El sistema de protección también está diseñado para otras causas que podrían dañar la herramienta, y permite que la herramienta se detenga automáticamente. Siga todos los pasos a continuación para eliminar las causas cuando la herramienta se haya detenido temporalmente o se haya detenido durante el funcionamiento.

1. Apague la herramienta, y luego enciéndala nuevamente para reiniciarla.
2. Cargue la(s) batería(s) o reemplácela(s) con batería(s) recargada(s).
3. Deje que la herramienta y la(s) batería(s) se enfríen.

Si no hay ninguna mejora al restaurar el sistema de protección, comuníquese con su centro local de servicio Makita.

Accionamiento del interruptor

PRECAUCIÓN: Antes de insertar el cartucho de batería en la herramienta, compruebe siempre y cerciórese de que el gatillo interruptor se acciona debidamente y que vuelve a la posición "OFF" (apagado) cuando lo suelta.

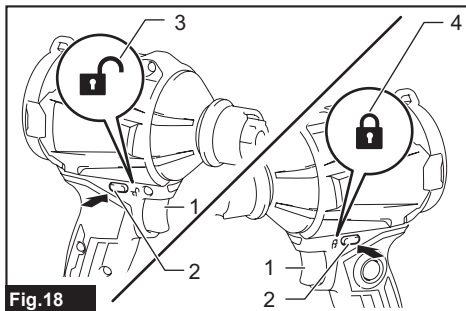
PRECAUCIÓN: El interruptor puede ser bloqueado en la posición de encendido para mayor comodidad del operador durante un uso prolongado. Tenga precaución mientras bloquea la herramienta en la posición "ON" (encendido).

PRECAUCIÓN: No instale el cartucho de batería con el botón de bloqueo activado.

PRECAUCIÓN: Cuando no se esté usando la herramienta, oprima el botón de bloqueo del gatillo desde el lado en el cual se indica una marca de bloqueo (🔒) para bloquear el gatillo interruptor en la posición "OFF" (apagado).

Botón de bloqueo del gatillo

Para evitar jalar accidentalmente el gatillo interruptor, se suministra el botón de bloqueo del gatillo. Para arrancar la herramienta, oprima el botón de bloqueo del gatillo desde el lado en el cual se indica una marca de desbloqueo (🔓). Para bloquear la herramienta, oprima el botón de bloqueo del gatillo desde el lado en el cual se indica una marca de bloqueo (🔒). Asegúrese de volver a colocar el botón de bloqueo del gatillo en una posición de bloqueo después de cada uso.



- ▶ 1. Gatillo interruptor 2. Botón de bloqueo del gatillo
3. Marca de desbloqueo 4. Marca de bloqueo

AVISO: No jale fuertemente el gatillo interruptor sin soltar el botón de bloqueo del gatillo. Esto podría dañar el interruptor.

Gatillo interruptor

El volumen de aire se puede controlar apretando el gatillo interruptor. El volumen de aire aumentará al incrementar la presión del gatillo interruptor. Para detener la máquina, suelte el gatillo interruptor.

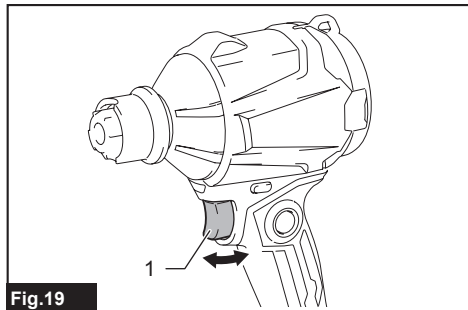


Fig.19

► 1. Gatillo interruptor

Botón de bloqueo

Para una operación continua, oprima el botón de bloqueo mientras jala del gatillo interruptor y luego suelte el gatillo interruptor. Para cancelar la operación de bloqueo, jale completamente el gatillo interruptor y luego suéltelo.

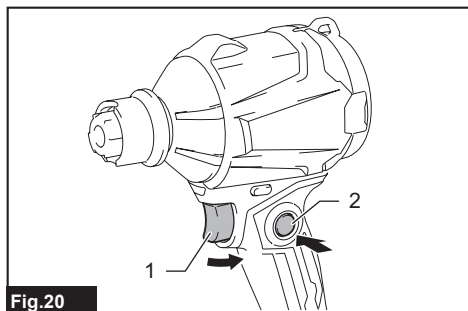


Fig.20

► 1. Gatillo interruptor 2. Botón de bloqueo

Ajuste del volumen de aire

El volumen de aire se puede cambiar en cuatro modos; es decir, 4 (máx.), 3 (alto), 2 (medio) y 1 (bajo), según la aplicación y la carga de trabajo.

Presione el botón de ajuste del volumen de aire para cambiar el modo en la siguiente secuencia. El modo cambia cada vez que presiona el botón.

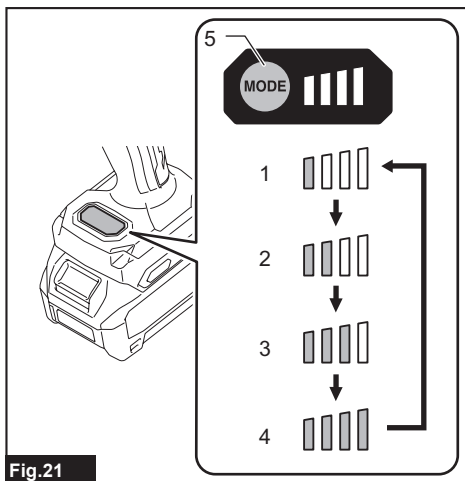


Fig.21

► 1. Volumen de aire bajo 2. Volumen de aire medio
3. Volumen de aire alto 4. Volumen de aire máximo
5. Botón de ajuste del volumen de aire

Tabla de ajustes del volumen de aire

Modo del volumen de aire	Volumen de aire máximo
4: Máx.	1,1 m ³ /min (39 cu.ft/min)
3: Alto	1,0 m ³ /min (35 cu.ft/min)
2: Medio	0,8 m ³ /min (28 cu.ft/min)
1: Bajo	0,6 m ³ /min (21 cu.ft/min)

* Los volúmenes máximos de aire se miden sin boquillas.

NOTA: El modo de volumen de aire se puede cambiar antes de encender la herramienta.

NOTA: La herramienta comienza a funcionar con la última configuración del modo de volumen de aire en uso.

Encendido de la lámpara

⚠PRECAUCIÓN: No mire a la luz ni vea a la fuente de luz directamente.

Para encender la luz, realice uno de los siguientes pasos.

- Jale el gatillo interruptor para encender la luz. La luz continúa iluminándose mientras se está jalando el gatillo interruptor. La luz se apagará aproximadamente 10 segundos después de detener la operación.
- Oprima el botón de ajuste del volumen de aire. La luz se apaga en aproximadamente 10 segundos.

NOTA: Cuando la capacidad restante de la batería esté baja, la lámpara comenzará a parpadear. El momento en el que la lámpara comenzará a parpadear dependerá de la temperatura en el lugar de trabajo y de las condiciones del cartucho de batería.

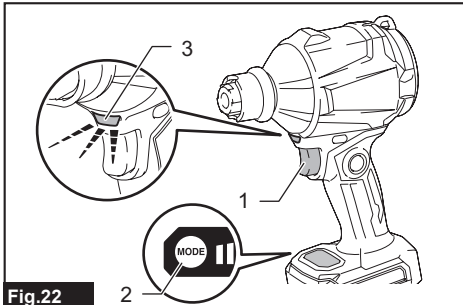


Fig.22

- 1. Gatillo interruptor 2. Botón de ajuste del volumen de aire 3. Luz

Orificio para colgado

PRECAUCIÓN: Antes de colgar la herramienta, asegúrese siempre de que el orificio para colgado no esté dañado.

PRECAUCIÓN: Utilice las partes para colgado/montaje para sus propósitos pretendidos solamente. El uso para un propósito no pretendido podría ocasionar un accidente o una lesión personal.

PRECAUCIÓN: Debe aprender de antemano la capacidad de soporte de carga nominal de los estantes y soportes para herramientas. No coloque la herramienta si excede el soporte de carga de los estantes y soportes.

PRECAUCIÓN: Asegúrese de que el orificio para colgado esté bien enganchado antes de soltarlo.

Utilice el orificio para colgado en la parte superior trasera de la carcasa para colgar la herramienta de un gancho de estantes y soportes.

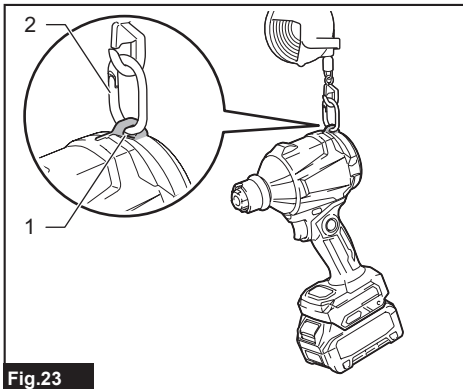


Fig.23

- 1. Orificio para colgado 2. Gancho

Instalación del gancho

Accesorio opcional

ADVERTENCIA: Utilice las piezas para colgado/montado solo para los fines previstos; por ejemplo, colgar la herramienta en un cinturón de herramientas entre trabajos o intervalos de trabajo.

ADVERTENCIA: Tenga cuidado de no sobrecargar el gancho, ya que demasiada fuerza o una sobrecarga irregular podrían dañar la herramienta y provocar lesiones personales.

PRECAUCIÓN: Cuando instale el gancho, siempre asegúrelo firmemente con el tornillo. De lo contrario, el gancho podría desprenderse de la herramienta y ocasionar lesiones personales.

PRECAUCIÓN: Asegúrese de colgar la herramienta de forma segura antes de soltarla. Un enganche insuficiente o desequilibrado podría provocar que se caiga y usted podría lesionarse.

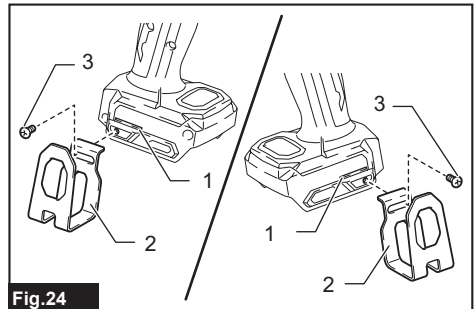


Fig.24

- 1. Ranura 2. Gancho 3. Tornillo

El gancho resulta útil para colgar temporalmente la herramienta. Se puede instalar en cualquiera de los lados de la herramienta. Para instalar el gancho, insértelo en una ranura de la carcasa de la herramienta de cualquiera de los lados y después sujételo con un tornillo. Para quitarlo, afloje el tornillo y después sáquelo.

OPERACIÓN

PRECAUCIÓN: No apunte la boquilla a nadie cercano durante el funcionamiento.

AVISO: Nunca bloquee la entrada de succión o la salida del soplador durante el funcionamiento.

Soplado durante el uso general

Boquillas recomendadas

— Boquilla 13

Limpie sus superficies de trabajo y pisos soplando polvo, suciedad, escombros, desechos o desperdicios en general.

Dirija la boquilla hacia las superficies a una distancia adecuada, y gírela para soplarlas por completo.

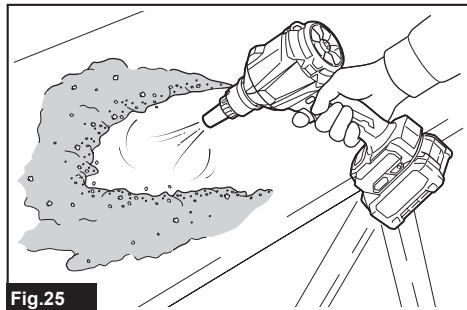


Fig.25

⚠ PRECAUCIÓN: Nunca sople escombros en dirección de las personas o mascotas cercanas.

⚠ PRECAUCIÓN: Utilice equipo de protección personal, como una máscara antipolvo y protección para los ojos.

AVISO: Elimine las obstrucciones de las superficies antes de la operación de soplado.

Soplado en espacios reducidos

Boquillas recomendadas

— Boquilla 3

Sople en lugares reducidos, esquinas y espacios cerca de las paredes para quitar el polvo.

Apunte la boquilla directamente a los espacios a una distancia razonable, y apriete el gatillo interruptor para controlar el volumen de aire de soplado.

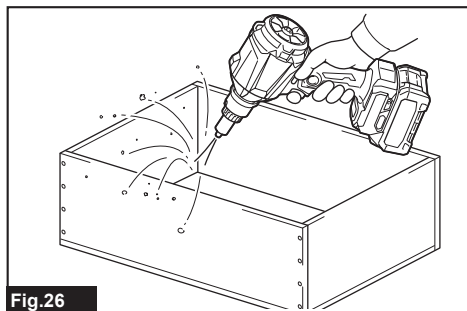


Fig.26

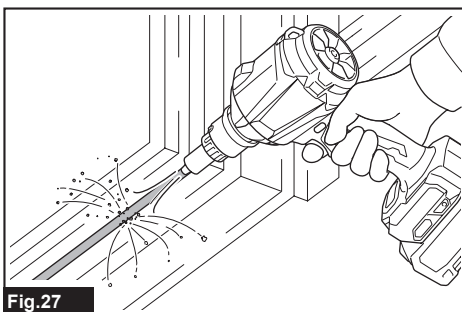


Fig.27

⚠ PRECAUCIÓN: Mantenga la boquilla alejada a una distancia razonable de los puntos de soplado para evitar que el polvo se esparza por el aire.

⚠ PRECAUCIÓN: Utilice equipo de protección personal, como una máscara antipolvo y protección para los ojos.

AVISO: Evite bloquear los orificios de ventilación de aire alrededor de la salida del soplador. De lo contrario, puede causar ruidos y vibraciones repentinos, y posiblemente afectar el desempeño de la herramienta.

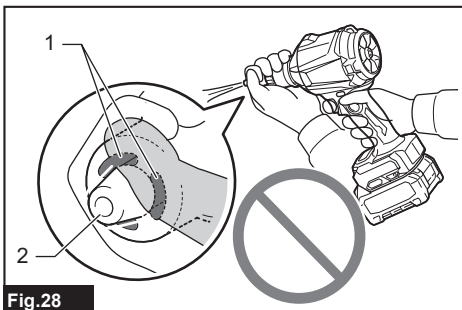


Fig.28

▶ 1. Orificios de las aberturas de ventilación 2. Salida del soplador

Limpiado del filtro de aire

Boquillas recomendadas

— Boquilla 7

Elimine el polvo de las superficies del filtro soplando aire de un lado al otro del filtro.

Dirija la boquilla sobre las superficies del filtro a una distancia corta, y gírela de lado a lado para quitar el polvo de las superficies.

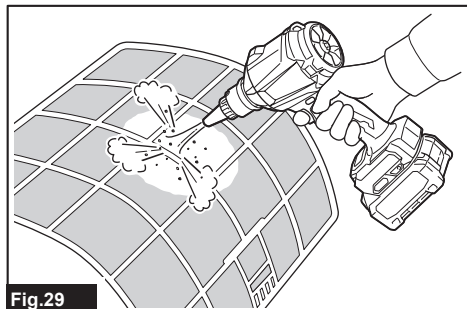


Fig.29

PRECAUCIÓN: Utilice equipo de protección personal, como una máscara antipolvo y protección para los ojos.

NOTA: Apunte la boquilla en un ángulo de acuerdo con los contornos del filtro, para que el polvo adherido pueda eliminarse fácilmente.

Soplado en un área amplia y abierta

Boquillas recomendadas

— Boquilla de rango completo

Sople aire sobre la suciedad y el líquido en superficies amplias y abiertas como un escritorio y el piso, utilizando la boquilla de cinco orificios con un rango de soplado de 120 grados.

Dirija la boquilla sobre un área grande dentro de una cierta distancia, y gírela hacia adelante y hacia atrás y de lado a lado para soplar ampliamente.

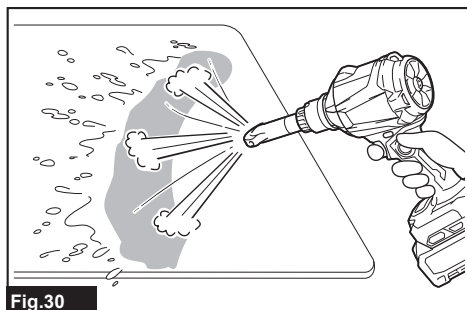


Fig.30

PRECAUCIÓN: Utilice equipo de protección personal, como una máscara antipolvo y protección para los ojos.

Inflado de artículos de plástico inflables

Boquillas recomendadas

— Boquilla de la válvula de pinzamiento

— Boquilla 13

Volumen de aire inflable con cartucho de batería completamente cargado BL4025 sin recargarlo

Modo del volumen de aire	Volumen de aire para inflado (Con la boquilla de la válvula de pinzamiento)	Número de pelotas de playa de plástico de ø61 cm (ø24") equivalente en volumen de aire (Con la boquilla de la válvula de pinzamiento)
4: Máx.	8,9 m ³ (314 cu.ft/ min)	75
3: Alto	9,5 m ³ (335 cu.ft/ min)	80
2: Medio	13,0 m ³ (459 cu.ft/ min)	110
1: Bajo	21,3 m ³ (752 cu.ft/ min)	180

NOTA: La presión de aire de salida máxima de esta herramienta es 20,6 kPa (2,9 PSI).
(Con boquilla 13)

Inflar juguetes de playa, almohadas y artículos inflables de plástico pequeños similares con la boquilla de la válvula de pinzamiento.

Inflar piscinas de jardín, colchones de aire y artículos inflables de plástico grandes similares con la boquilla 13.

Inserte la boquilla en una entrada de aire de un artículo inflable, y apriete el gatillo interruptor para comenzar a inflar.

Suelte lentamente el gatillo interruptor para reducir el volumen de aire a medida que el artículo inflable se acerca a estar completamente inflado. Retire la boquilla de la entrada de aire después de detener el flujo de aire, y luego cierre la entrada de aire.

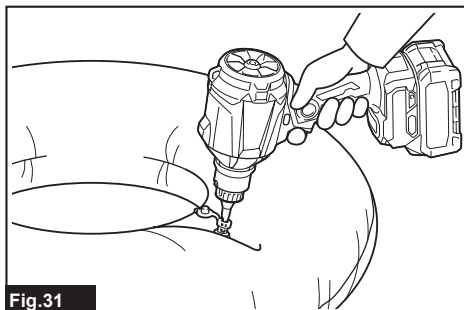


Fig.31

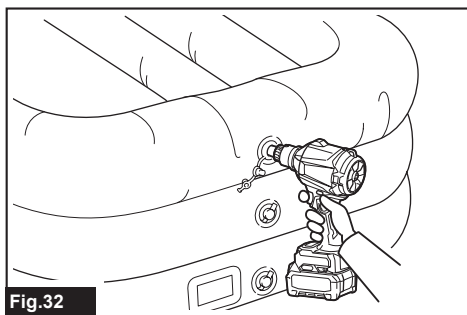


Fig. 32

⚠️ PRECAUCIÓN: Durante la operación, siempre tenga cuidado de no inflar de más los artículos inflables. De lo contrario, podría reventar los artículos inflables, lo que podría causar daños a la herramienta y lesiones personales.

⚠️ PRECAUCIÓN: Nunca deje la herramienta sin atender mientras la boquilla esté acoplada a los artículos inflables o mientras la herramienta está en marcha.

⚠️ PRECAUCIÓN: Tenga en cuenta que la corriente de aire caliente podría fluir a través del orificio de ventilación de aire en el cuello de botella de la boquilla de la válvula de pinzamiento debido a la circulación de aire.

NOTA: Asegúrese de insertar la boquilla de la válvula de pinzamiento completamente a través de la entrada de aire para que el cabezal de la boquilla sirva para abrir la válvula de aleta dentro de la entrada de aire.

NOTA: Para un artículo inflable con una abertura pequeña de entrada de aire, inserte la punta estrecha de la boquilla de la válvula de pinzamiento en la entrada de aire, hasta que el cuello de botella del cabezal de la boquilla toque el borde de la entrada de aire.

NOTA: Para un artículo inflable con una abertura grande de entrada de aire, inserte el cabezal de la boquilla de la válvula de pinzamiento completamente en la entrada de aire para abrir la válvula de aleta dentro de la entrada de aire.

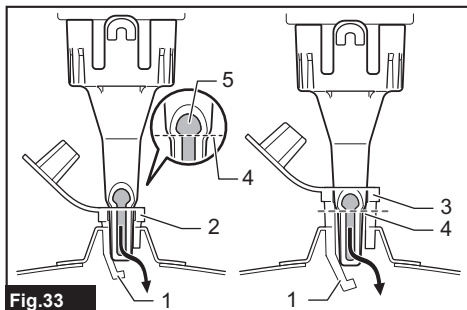


Fig. 33

- 1. Válvula de aleta 2. Abertura pequeña de entrada de aire 3. Abertura grande de entrada de aire 4. Cuello de botella 5. Orificio de abertura de ventilación

NOTA: Si una entrada de aire en un artículo inflable es relativamente más pequeña que el cabezal de la boquilla de la válvula de pinzamiento, apriete y agrande la entrada de aire con la mano, y luego gire y sostenga el cabezal de la boquilla en la entrada de aire.

Soplado de orificios y de lugares estrechos

Accesorio opcional

Boquillas recomendadas

- Conjunto de boquillas largas

Limpiar el polvo de pequeños orificios y puntos estrechos. Las longitudes de las boquillas se pueden organizar de acuerdo con sus necesidades.

Ensamble las boquillas largas R y F juntas para permitir un rango de operación más largo, por ejemplo, limpiando los orificios de anclaje en sus pies.

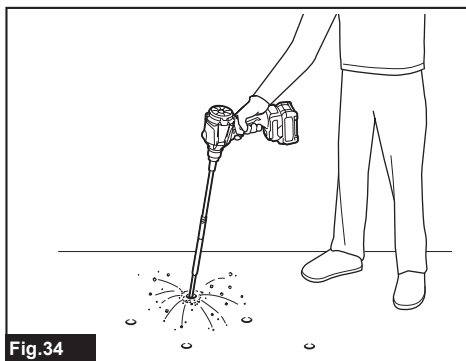


Fig. 34

Use la boquilla larga R solo para tener un rango de operación más corto, por ejemplo, limpieza de sitios de la pared.

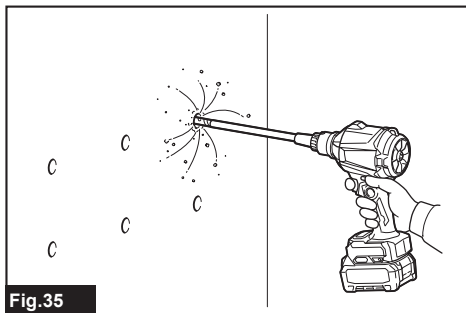


Fig. 35

⚠️ PRECAUCIÓN: Utilice equipo de protección personal, como una máscara antipolvo y protección para los ojos.

Soplado en espacios estrechos

Accesorio opcional

Boquillas recomendadas

- *Boquilla flexible 6*

Sople el polvo de cualquier lugar de difícil acceso. Altamente eficaz para la limpieza del motor, eliminación de polvo en el automóvil, soplado de polvo en la carcasa de la computadora.

Apunte la boquilla en un ángulo dentro de la distancia de contacto, y sople hacia adelante y hacia atrás para limpiar el polvo remanente. Cambie los ángulos de la boquilla a medida que sopla para ayudar a expulsar algunos de los escombros y polvo más persistentes.

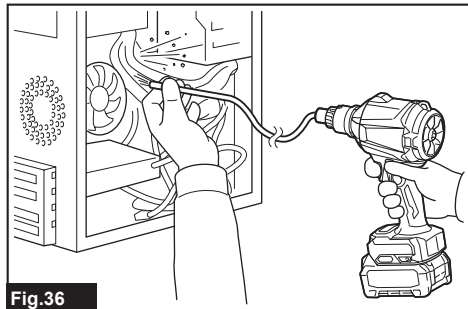


Fig.36

PRECAUCIÓN: Utilice equipo de protección personal, como una máscara antipolvo y protección para los ojos.

AVISO: Evite bloquear los orificios de ventilación de aire alrededor del extremo de la manguera flexible. De lo contrario, puede causar ruidos y vibraciones repentinos, y posiblemente afectar el desempeño de la herramienta.

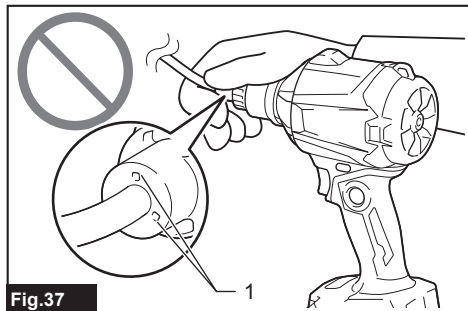


Fig.37

- 1. Orificios de las aberturas de ventilación

Desinflado de artículos de plástico inflables

Accesorio opcional

AVISO: Evite desinflar los artículos inflables en condiciones de humedad y polvo, ya que el agua, el polvo y sustancias externas similares en las superficies podrían penetrar en el motor y dañar la herramienta. Seque y limpie los artículos inflables completamente antes de realizar la operación de desinflado.

AVISO: Nunca deje la herramienta desatendida mientras desinfla los artículos inflables. Hacer funcionar el motor continuamente después de que se completa el desinflado puede causar sobrecalentamiento.

Boquillas y aditamentos recomendados

- *Manguera de ventilación de aire completa*
- *Boquilla de la válvula de pinzamiento*
- *Aditamento de goma 20 - 30*
- *Aditamento de goma 65*

Desinfla los artículos inflables con las boquillas adecuadas según sus preferencias y aplicaciones.

1. Coloque una boquilla o un aditamento de goma en la manguera de ventilación de aire completa.
2. Vuelva a colocar la tapa guardapolvo de la entrada de succión de la herramienta con la manguera de ventilación de aire completa.
3. Inserte la boquilla en la válvula de aire o coloque el accesorio sobre la válvula de aire de artículos inflables y apriete el gatillo interruptor para comenzar a desinflar.
4. Suelte lentamente el gatillo interruptor para reducir el volumen de succión cuando un artículo inflable se desinfla casi por completo.
5. Retire la boquilla o aditamento de la válvula de aire después de detener el flujo de aire, y luego cierre la válvula de aire.

Con la boquilla de la válvula de pinzamiento

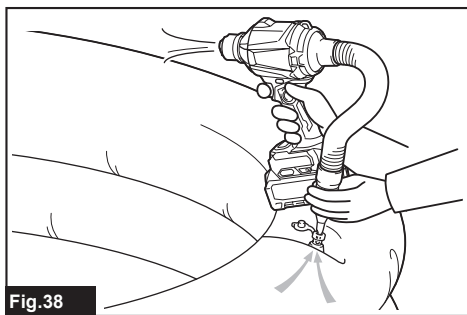


Fig.38

Con el aditamento de goma 20 - 30

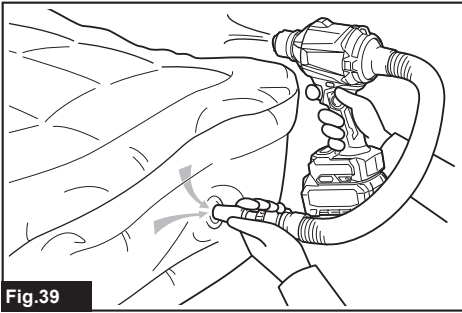


Fig.39

Con el aditamento de goma 65

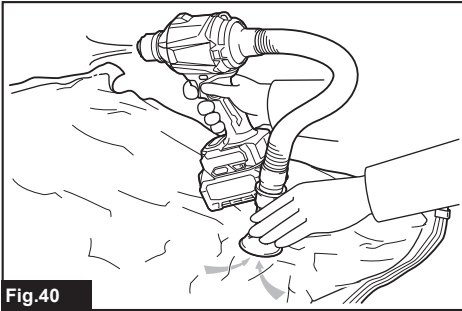


Fig.40

MANTENIMIENTO

PRECAUCIÓN: Asegúrese siempre de que la herramienta esté apagada y el cartucho de batería extraído antes de intentar realizar una inspección o mantenimiento.

Para mantener la SEGURIDAD y CONFIABILIDAD del producto, las reparaciones y cualquier otro mantenimiento o ajuste deben ser realizados por los centros de servicio autorizados por Makita o de fábrica, utilizando siempre repuestos Makita.

AVISO: Nunca use gasolina, bencina, diluyente (tiner), alcohol o sustancias similares. Puede que esto ocasione grietas o descoloramiento.

Limpeza

Limpeza del cuerpo de la herramienta

Limpe el cuerpo de su herramienta con un paño seco o un paño humedecido en agua jabonosa a intervalos regulares.

Limpeza de las boquillas

Limpe las obstrucciones o el polvo que bloquean las aberturas de las boquillas antes y después de cada uso.

Extracción e instalación del filtro

PRECAUCIÓN: Después de limpiar el filtro, asegúrese de volver a montarlo en la posición correcta.

Limpe el filtro a intervalos regulares, ya que usar un filtro obstruido podría resultar en un desempeño de succión deficiente.

1. Gire la tapa guardapolvo en la entrada de succión en la parte trasera de la carcasa en sentido inverso al de las manecillas del reloj para quitar la tapa guardapolvo de la carcasa. Dos lengüetas de bloqueo de la tapa guardapolvo se pueden desacoplar al alinearlas con las ranuras de guía de la carcasa.

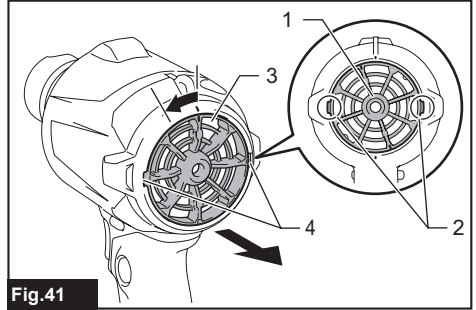


Fig.41

► 1. Tapa guardapolvo 2. Lengüetas de bloqueo 3. Entrada de succión 4. Ranuras de guía

2. Saque el filtro de esponja circular B (gris oscuro) de la entrada de succión.

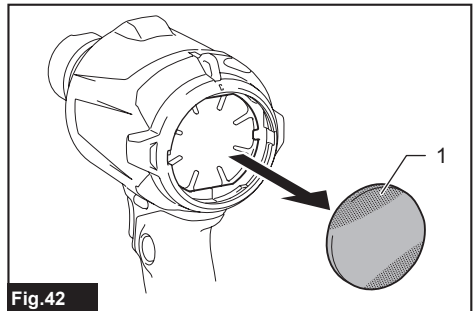


Fig.42

► 1. Filtro de esponja circular B (gris oscuro)

No retire el filtro de esponja A (amarillo) colocado más hacia adentro de la entrada de succión, ya que debe colocarse para proteger el motor de cualquier daño.

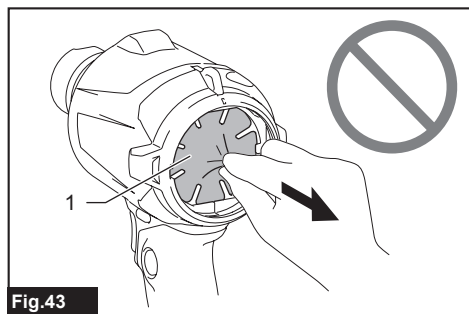


Fig.43

► 1. Filtro de esponja A (amarillo)

3. Limpie y sacuda el polvo del filtro de esponja circular B manualmente. De vez en cuando lave el filtro con agua, enjuague y seque bien a la sombra antes de usarlo.

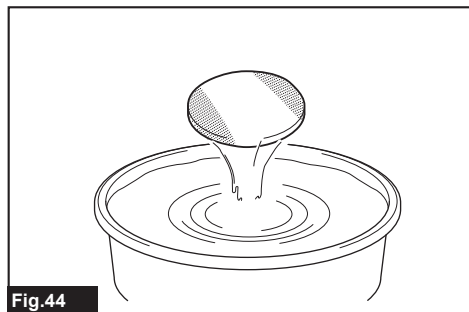


Fig.44

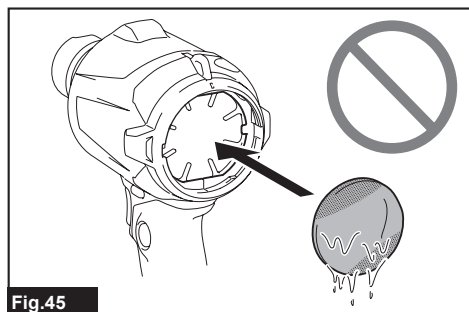


Fig.45

AVISO: Después de lavar en agua, seque el filtro de esponja circular B antes de instalarlo. Un filtro que no esté completamente seco podría acortar la vida útil del motor.

AVISO: Nunca lave los filtros en la lavadora.

AVISO: No frote ni raye los filtros con objetos duros tales como un cepillo.

NOTA: Los filtros se desgastan con el tiempo. Se recomienda contar con piezas de repuesto.

4. Ponga el filtro de esponja circular B de vuelta a la entrada de succión.

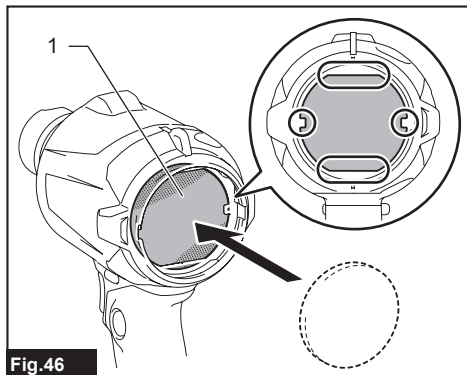


Fig.46

► 1. Filtro de esponja circular B

5. Vuelva a montar la tapa guardapolvo sobre la entrada de succión, alineando las dos lengüetas de bloqueo de la tapa guardapolvo con las ranuras de guía de la carcasa. Luego, gire la tapa guardapolvo en el sentido de las manecillas del reloj para afianzarla en su sitio.

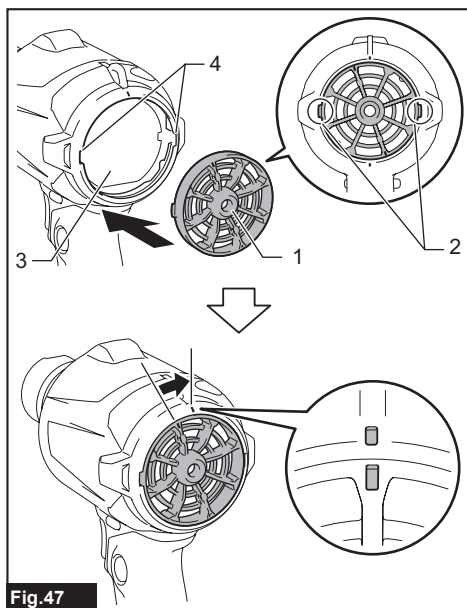


Fig.47

► 1. Tapa guardapolvo 2. Lengüetas de bloqueo
3. Entrada de succión 4. Ranuras de guía

RESOLUCIÓN DE PROBLEMAS

Antes de solicitar alguna reparación, primero realice una inspección por su cuenta. Si detecta algún problema que no esté explicado en el manual, no intente desensamblar la máquina. En vez de esto, solicite la reparación a un centro de servicio autorizado de Makita, usando siempre piezas de repuesto Makita.

Estado de la anomalía	Causa probable (avería)	Remedio
El motor no funciona.	El cartucho de batería no está instalado.	Instale el cartucho de batería.
	Problema con la batería (bajo voltaje)	Recargue la batería. Si la recarga no es efectiva, reemplace la batería.
	El sistema de accionamiento no funciona correctamente.	Solicite la reparación en el centro de servicio autorizado de su localidad.
El motor deja de funcionar después de un rato de uso.	El nivel de carga de la batería es bajo.	Recargue la batería. Si la recarga no es efectiva, reemplace la batería.
	Sobrecalentamiento.	Deje de usar la herramienta para enfriarla.
La herramienta no alcanza el volumen de aire máximo.	La batería está mal instalada.	Instale el cartucho de batería como se describe en este manual.
	La potencia de la batería se está reduciendo.	Recargue la batería. Si la recarga no es efectiva, reemplace la batería.
	El sistema de accionamiento no funciona correctamente.	Solicite la reparación en el centro de servicio autorizado de su localidad.
Vibración anormal: ⇒ ¡Detenga la herramienta inmediatamente!	El sistema de accionamiento no funciona correctamente.	Solicite la reparación en el centro de servicio autorizado de su localidad.
El motor no se puede detener: ⇒ ¡Extraiga la batería inmediatamente!	Avería eléctrica o electrónica.	Extraiga la batería y solicite la reparación en el centro de servicio autorizado de su localidad.

ACCESORIOS OPCIONALES

⚠PRECAUCIÓN: Estos accesorios o aditamentos están recomendados para utilizarse con su producto de Makita especificado en este manual.

El uso de cualquier otro accesorio o aditamento puede ocasionar riesgo de lesiones personales. Use los accesorios o aditamentos sólo para los propósitos para los que fueron diseñados.

Si necesita cualquier ayuda para más detalles en relación con estos accesorios, pregunte a su centro de servicio local Makita.

- Boquilla 3
- Boquilla 7
- Boquilla 13
- Boquilla de rango completo
- Boquilla de la válvula de pinzamiento
- Boquilla flexible 6
- Conjunto de boquillas largas
- Manguera de ventilación de aire completa
- Aditamento de goma 20 - 30
- Aditamento de goma 65
- Filtro C
- Gancho
- Batería y cargador originales de Makita

NOTA: Algunos de los artículos en la lista puede que vengan junto con el paquete del producto como accesorios incluidos. Puede que estos accesorios varíen de país a país.

GARANTÍA LIMITADA DE MAKITA

Ésta Garantía no aplica para México

Consulte la hoja de la garantía anexa para ver los términos más vigentes de la garantía aplicable a este producto. En caso de no disponer de esta hoja de garantía anexa, consulte los detalles sobre la garantía descritos en el sitio web de su país respectivo indicado a continuación.

Estados Unidos de América: www.makitatools.com

Canadá: www.makita.ca

Otros países: www.makita.com

< USA only >

WARNING

Some dust created by power sanding, sawing, grinding, drilling, and other construction activities contains chemicals known to the State of California to cause cancer, birth defects or other reproductive harm. Some examples of these chemicals are:

- lead from lead-based paints,
- crystalline silica from bricks and cement and other masonry products, and
- arsenic and chromium from chemically-treated lumber.

Your risk from these exposures varies, depending on how often you do this type of work. To reduce your exposure to these chemicals: work in a well ventilated area, and work with approved safety equipment, such as those dust masks that are specially designed to filter out microscopic particles.

< Sólo en los Estados Unidos >

ADVERTENCIA

Algunos polvos creados por el lijado, aserrado, esmerilado, taladrado y otras actividades de la construcción contienen sustancias químicas reconocidas por el Estado de California como causantes de cáncer, defectos de nacimiento y otros peligros de reproducción. Algunos ejemplos de estos productos químicos son:

- plomo de pinturas a base de plomo,
- sílice cristalino de ladrillos y cemento y otros productos de albañilería, y
- arsénico y cromo de maderas tratadas químicamente.

El riesgo al que se expone varía, dependiendo de la frecuencia con la que realice este tipo de trabajo. Para reducir la exposición a estos productos químicos: trabaje en un área bien ventilada y póngase el equipo de seguridad indicado, tal como las máscaras contra polvo que están especialmente diseñadas para filtrar partículas microscópicas.

Makita Corporation

3-11-8, Sumiyoshi-cho,
Anjo, Aichi 446-8502 Japan

www.makita.com

885924C934
AS001G-1
EN, FRCA, ESMX
20221212